



Wind 125 T

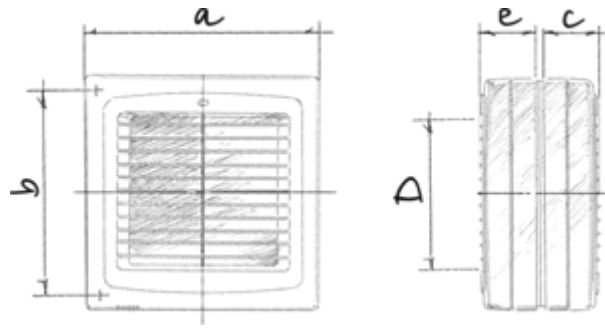
Extract fans

- Maximum airflow: 185
- Sound pressure level LpA at 3 m: 35
- Motor type: AC
- Casing material: Plastic
- Timer: Turn off timer

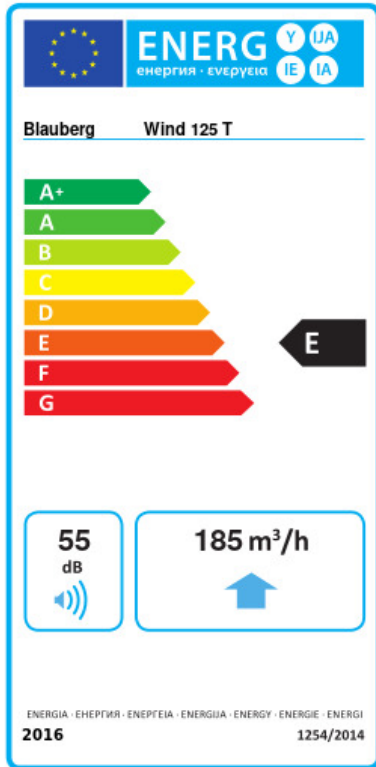
	Unit of measurement	Wind 125 T
Connected air duct size	mm	125
Speed	-	1
Minimum supply voltage	V	220
Maximum supply voltage	V	240
Power supply frequency	Hz	50
Rated power	W	22
Unit current	A	0.1
Maximum airflow	m ³ /h	185
Sound pressure level LpA at 3 m	dB(A)	35
Ingress protection rating	-	IP24

Dimensions

a	b	e	c	D
186	173	60	53	125



Ecodesign



Trademark	Blaubeerg		
Model	Wind 125 T		
Specific energy consumption (SEC) (kWh/(m ² /a))	Cold	Average	Warm
	-28.2	B	-13.2
	E	-4.6	F
Type of ventilation unit	Unidirectional		
Type of drive installed	Multi-speed		
Type of heat recovery system	None		
Maximum flow rate (m ³ /h)	185		
Electric power input (W)	22		
Reference flow rate (m ³ /s)	0.036		
Specific power input (SPI) (W/(m ³ /h))	0.076		
Control typology	Clock control		
Maximum external leakage rates (%)	2.7		
Airflow sensitivity at +20 Pa and -20 Pa (%)	0.15		
The indoor/outdoor air tightness (m ³ /h)	1		
Declared typology	RVU UVU		
Sound power level (dB(A))	55		
The annual electricity consumption (AEC) (kWh/a)	Cold	Average	Warm
	100	100	100
The annual heating saved (AHS) (kWh/a)	Cold	Average	Warm
	3075	1572	711