



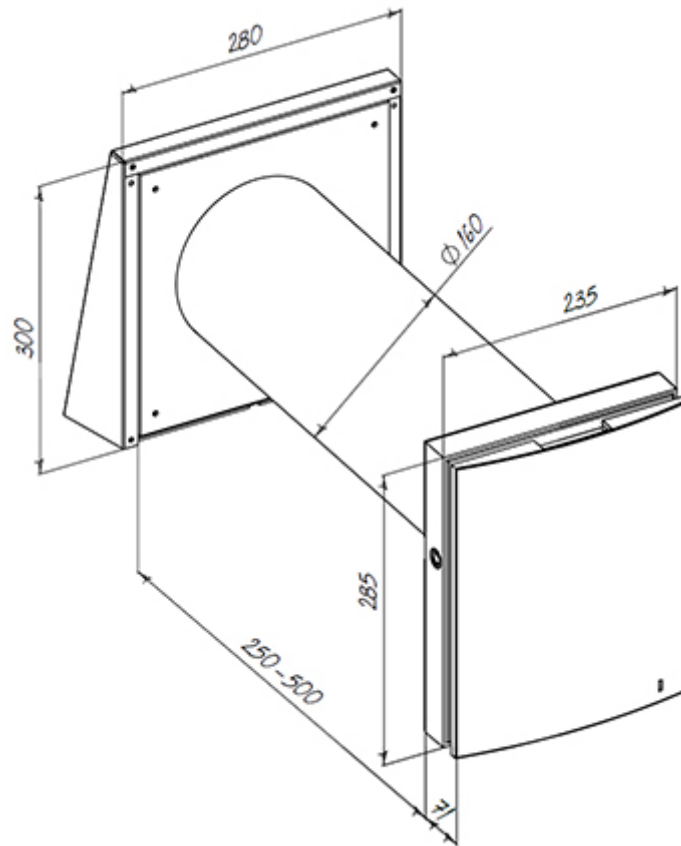
# VENTO Expert A50-1 W

Heat recovery single-room units

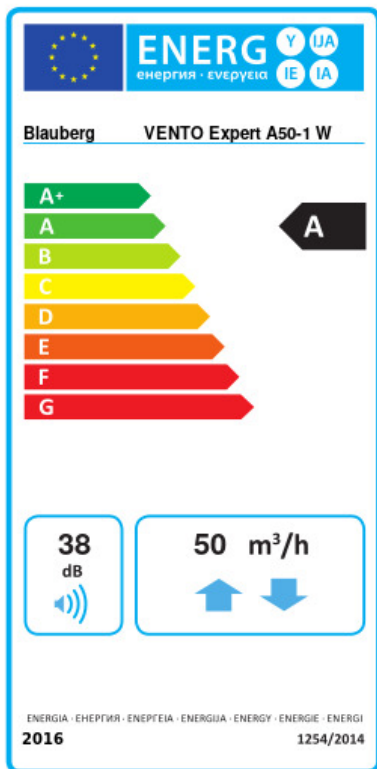
- Air flow in heat recovery mode: 8
- Sound pressure level LpA at 3 m: 21
- Sound pressure level LpA at 1 m: 30
- Heat exchanger type: Reversible
- Sound insulation
- Motor type: EC
- Control: Remote Control
- Casing material: Plastic
- Humidity sensor: Optional
- CO2 sensor: Optional
- VOC sensor: Optional
- PM2.5 sensor: Optional

	Unit of measurement	VENTO Expert A50-1 W		
Speed	-	3		
Minimum supply voltage	V	100		
Maximum supply voltage	V	240		
Power supply frequency	Hz	50/60		
Rated power	W	4.45	5.08	7.06
Unit current	A	0.035	0.040	0.059
Air flow in ventilation mode	m <sup>3</sup> /h	15		
Air flow in heat recovery mode	m <sup>3</sup> /h	8		
Sound pressure level LpA at 3 m	dB(A)	11	18	21
Sound pressure level LpA at 1 m	dB(A)	20	27	30
Heat recovery efficiency, max	%	93		
Heat exchanger type	-	Reversible		
Transported air temperature (max)	°C	40		
Transported air temperature (min)	°C	-15		
Ambient air temperature min	°C	1		
Ambient air temperature max	°C	40		
Ambient air humidity max	%	65		
Ingress protection rating	-	IP24		

## Dimensions



## Ecodesign



Trademark	Blauberg					
Model	VENTO Expert A50-1 W					
Specific energy consumption (SEC) (kWh/(m <sup>2</sup> /a))	Cold	Average	Warm			
	-83.2	A+	-41.3	A	-17.3	E
Type of ventilation unit	Bidirectional					
Type of drive installed	Variable speed					
Type of heat recovery system	Regenerative					
Thermal efficiency of heat recovery (%)	77					
Maximum flow rate (m <sup>3</sup> /h)	50					
Electric power input (W)	7.1					
Reference flow rate (m <sup>3</sup> /s)	0.008					
Specific power input (SPI) (W/(m <sup>3</sup> /h))	0.169					
Control typology	Local demand control					
Maximum internal leakage rates (%)	2.7					
Mixing rate (%)	1					
Airflow sensitivity at +20 Pa and -20 Pa (%)	0.2					
The indoor/outdoor air tightness (m <sup>3</sup> /h)	5.2					
Declared typology	RVU BVU					
Sound power level (dB(A))	38					
The annual electricity consumption (AEC) (kWh/a)	Cold	Average	Warm			
	99	99	99			
The annual heating saved (AHS) (kWh/a)	Cold	Average	Warm			
	86	44	20			

## Accessories

### Other accessories

Name	Photo	Description
<a href="#">CD-1</a>		CO2 sensors

[CD-2](#)



CO2 sensors