



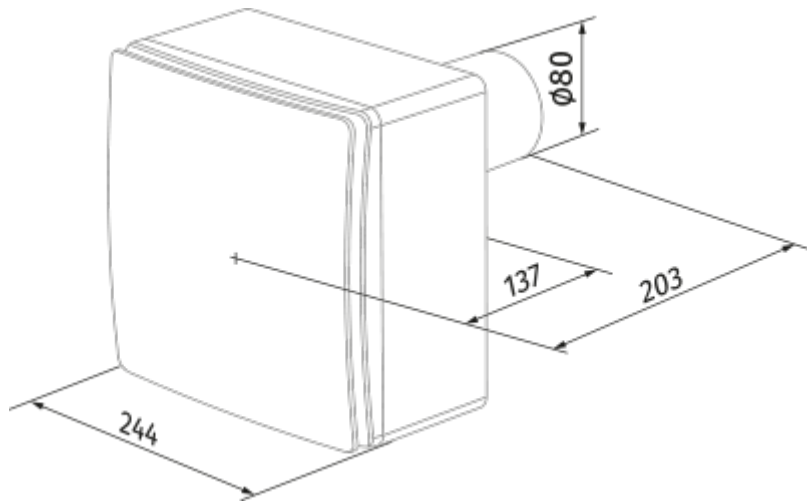
## Valeo-E 35/60 T

Mono-pipe ventilation exhaust centrifugal fans

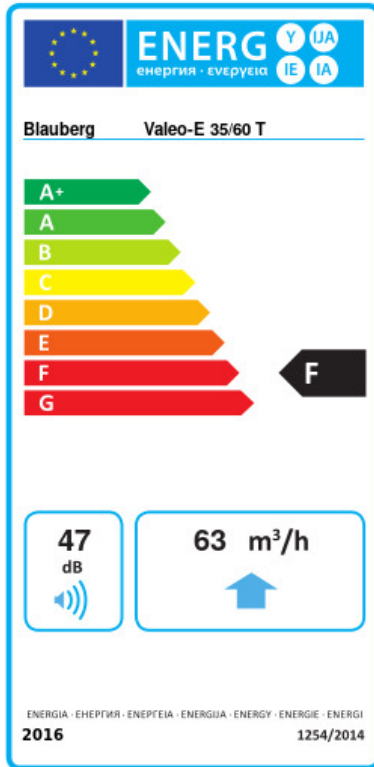
- Maximum airflow: 63
- Sound pressure level LpA at 3 m: 36
- Control: Wired control panel
- Casing material: Plastic
- Backdraft protection: Backdraft damper
- Timer: Built-in

	Unit of measurement	Valeo-E 35/60 T	
Connected air duct size	mm	80	
Speed	-	2	
Minimum supply voltage	V	220	
Maximum supply voltage	V	240	
Power supply frequency	Hz	50	
Rated power	W	15	25
Unit current	A	0.12	0.14
Maximum airflow	m <sup>3</sup> /h	35	63
Sound pressure level LpA at 3 m	dB(A)	27	36
Weight	kg	2.7	
Ambient air temperature min	°C	1	
Ambient air temperature max	°C	40	
Ingress protection rating	-	IP55	

### Dimensions



## Ecodesign



Trademark	Blauberg			
Model	Valeo-E 35/60 T			
Specific energy consumption (SEC) (kWh/(m <sup>2</sup> /a))	Cold	Average	Warm	
	-24 C	-6.1 F	4.1	G
Type of ventilation unit	Unidirectional			
Type of drive installed	2-speed			
Type of heat recovery system	None			
Maximum flow rate (m <sup>3</sup> /h)	63			
Electric power input (W)	25			
Reference flow rate (m <sup>3</sup> /s)	0.01			
Reference pressure difference (Pa)	50			
Specific power input (SPI) (W/(m <sup>3</sup> /h))	0.429			
Control typology	Clock control			
Maximum external leakage rates (%)	2.7			
Sound power level (dB(A))	47			
Declared typology	RVU UVU			
The annual electricity consumption (AEC) (kWh/a)	Cold	Average	Warm	
	505	505	505	
The annual heating saved (AHS) (kWh/a)	Cold	Average	Warm	
	3667	1874	848	

## Accessories

### Other accessories

Name	Photo	Description
<a href="#">CDP-3/5</a>		Multi-speed switch