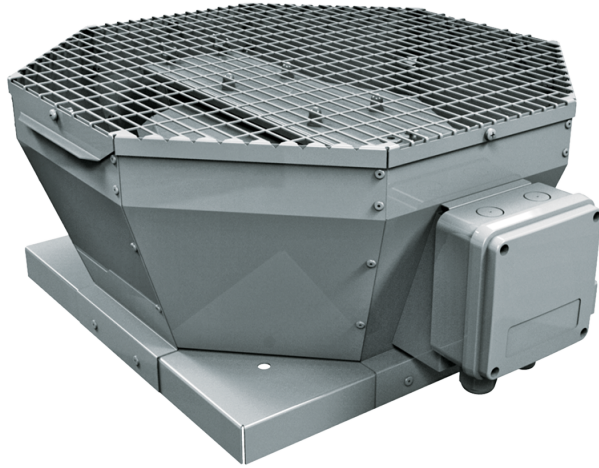


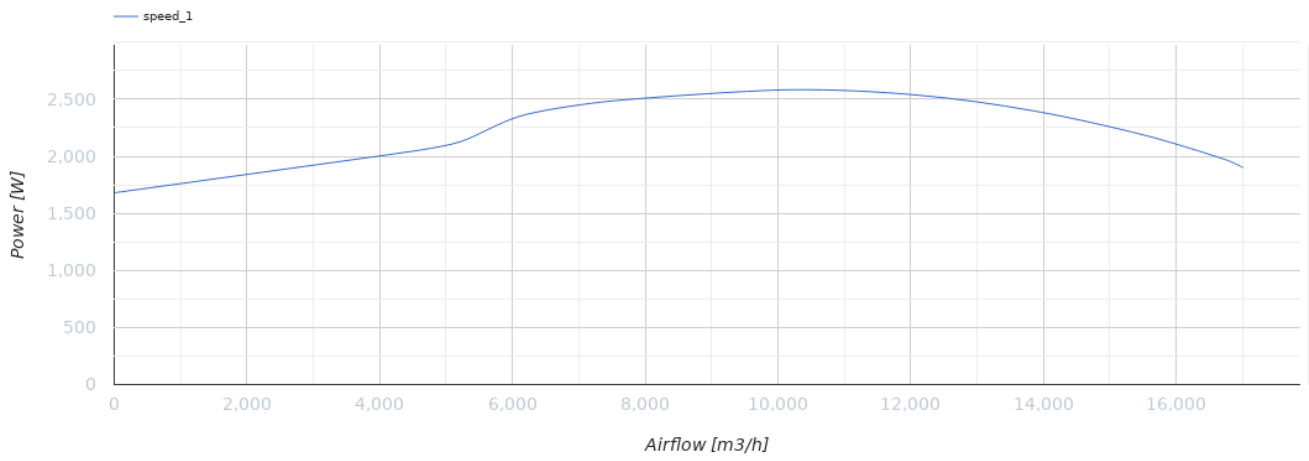
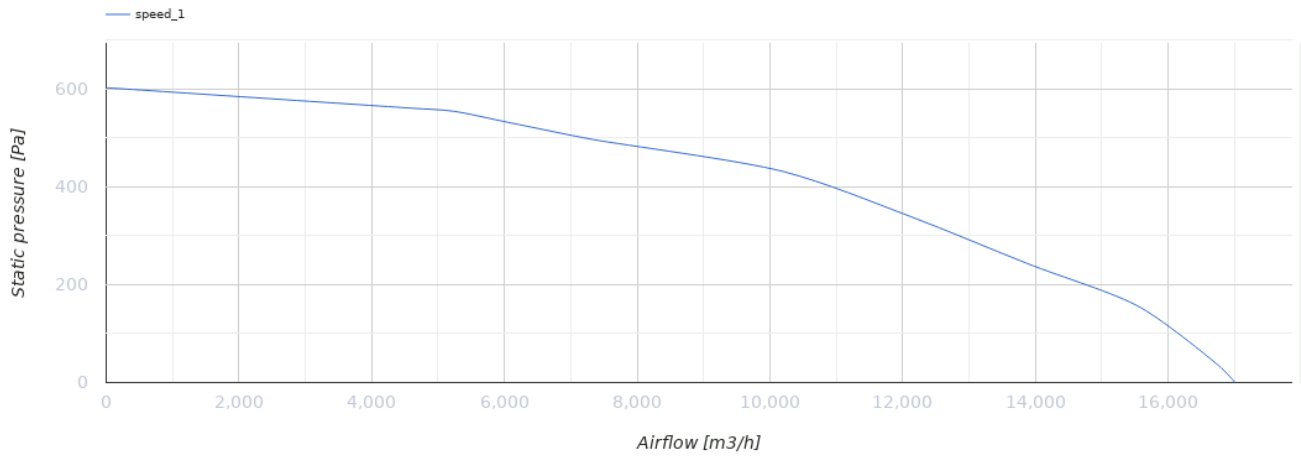
# Tower-V 710 6D

Roof centrifugal fans with vertical air discharge

- Sound pressure level LpA at 3 m: 67
- Impeller type: Centrifugal impeller with backward curved blades
- Casing material: Coated steel

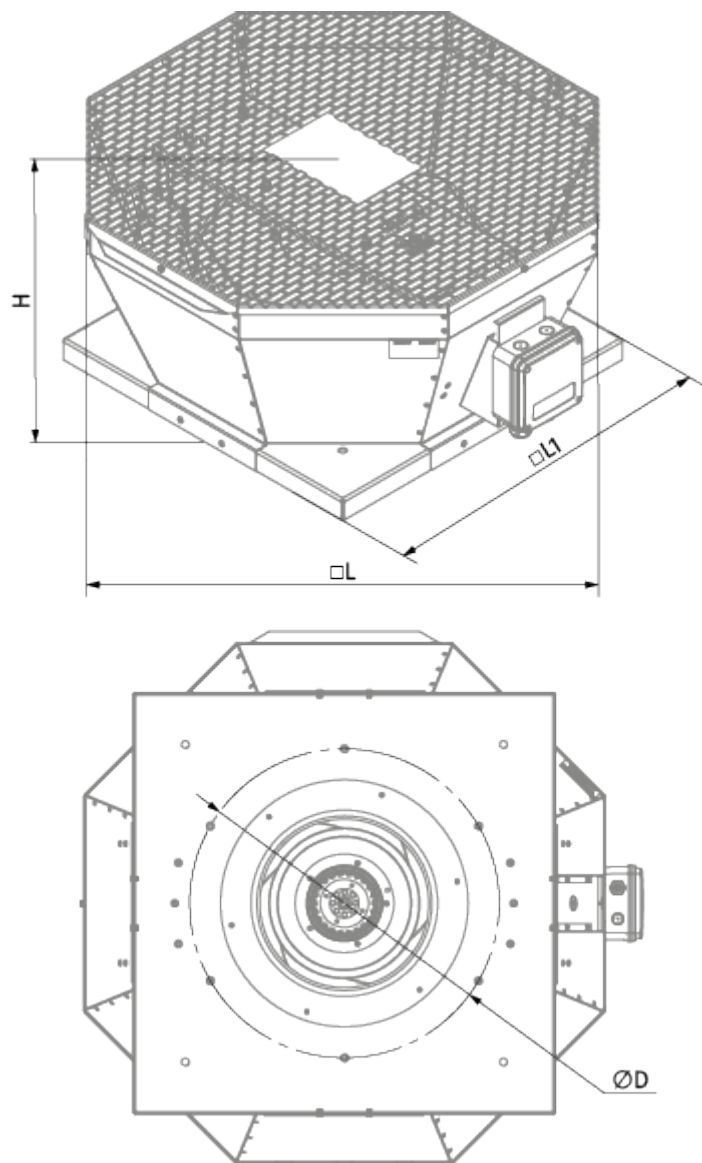


	Unit of measurement	Tower-V 710 6D
Phases	-	3
Minimum supply voltage	V	400
Maximum supply voltage	V	400
Power supply frequency	Hz	50
Rated power	W	2583
Unit current	A	4.87
Maximum airflow	m <sup>3</sup> /h	17010
Sound pressure level LpA at 3 m	dB(A)	67
Weight	kg	114
Transported air temperature (max)	°C	70
Transported air temperature (min)	°C	-25
Ingress protection rating	-	IPX4
Ingress protection rating of the drive	-	IP54
Impeller material	-	Aluminium
Article	-	8076763




## Dimensions

ØD	H	L	L1
674	485	992	939



## Accessories

### Thyristor speed controllers

Name	Photo	Description
<a href="#">CDT E1.8</a>		Thyristor speed controller