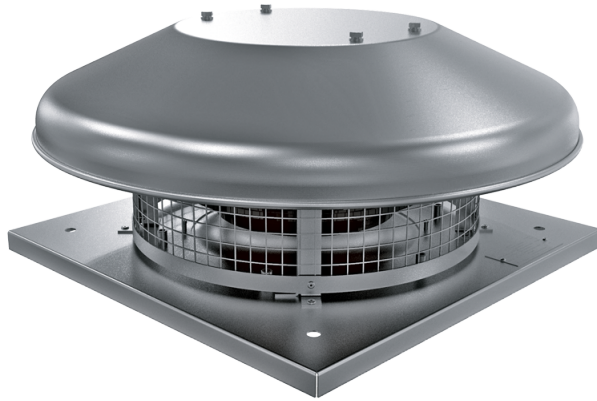


# Tower-HC 280 4E

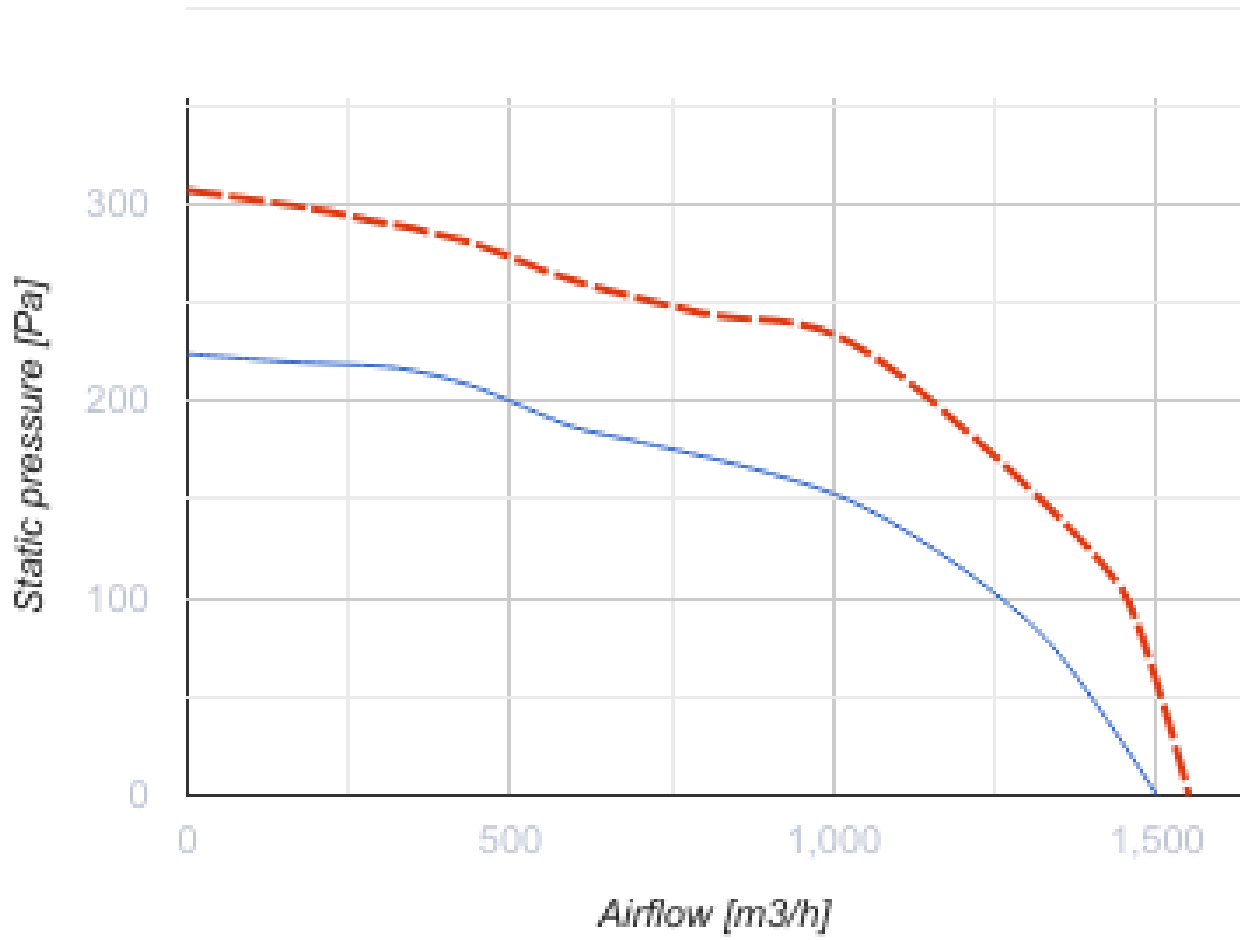
## A

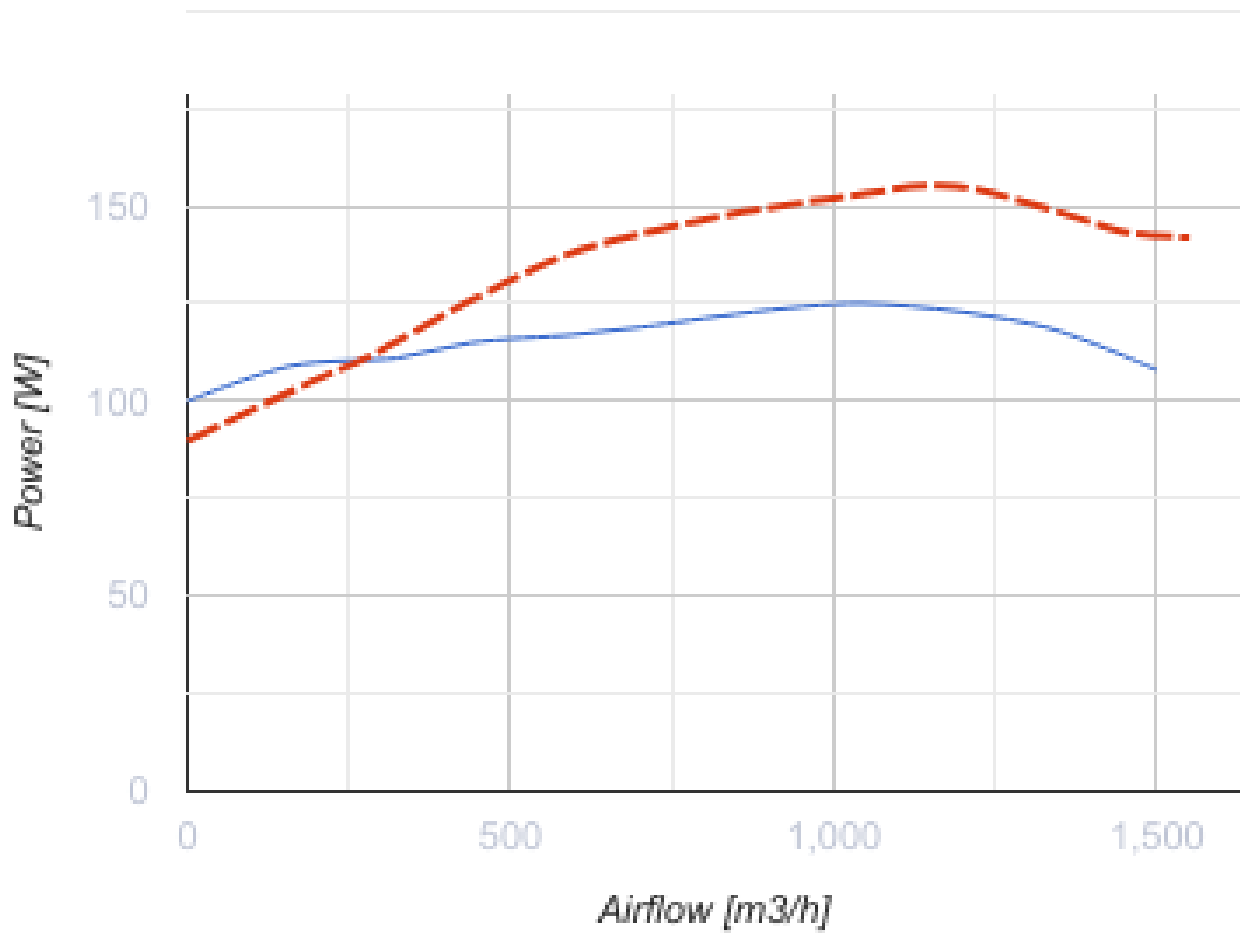
Roof centrifugal fans



- Maximum airflow: 1500
- Sound pressure level LpA at 3 m: 46
- Motor type: AC
- Impeller type: Centrifugal backward curved blades
- Casing material: Aluminium

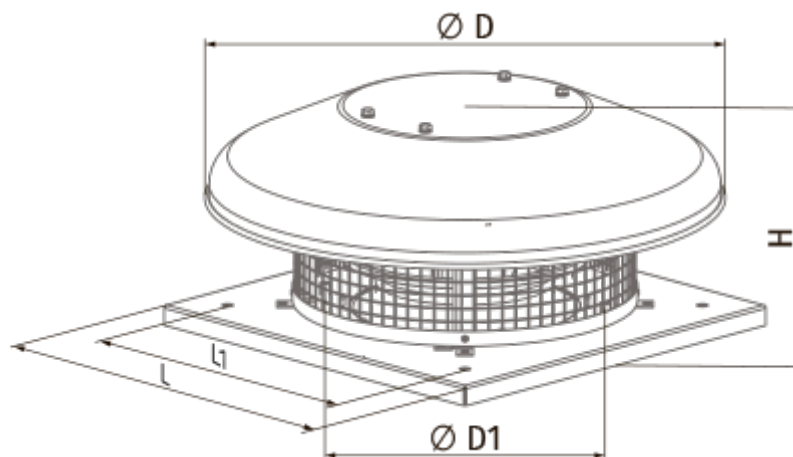
|  | Unit of measurement | Tower-HC 280 4E A |    |
|--|---------------------|-------------------|----|
| Speed                                  | -                   | 1                 |    |
| Phases                                 | -                   | 1                 |    |
| Minimum supply voltage                 | V                   | 230               |    |
| Maximum supply voltage                 | V                   | 230               |    |
| Power supply frequency                 | Hz                  | 50                | 60 |
| Rated power                            | W                   | 125               |    |
| Unit current                           | A                   | 0.61              |    |
| Maximum airflow                        | m <sup>3</sup> /h   | 1500              |    |
| Sound pressure level LpA at 3 m        | dB(A)               | 46                |    |
| Weight                                 | kg                  | 11                |    |
| Transported air temperature (max)      | °C                  | 50                |    |
| Transported air temperature (min)      | °C                  | -25               |    |
| Ingress protection rating              | -                   | IPX4              |    |
| Ingress protection rating of the drive | -                   | IP44              |    |





### Dimensions

| H   | ØD  | ØD1 | L   | L1  |
|-----|-----|-----|-----|-----|
| 255 | 623 | 285 | 420 | 330 |



## Ecodesign

|                                       |                   |
|---------------------------------------|-------------------|
| Trademark                             | Blauberg          |
| Model                                 | Tower-HC 280 4E A |
| Type of drive installed               | Integrated VSD    |
| Type of heat recovery system          | None              |
| Nominal flow rate (m <sup>3</sup> /s) | 0.131             |
| Nominal external pressure (Pa)        | 99                |
| Maximum external leakage rates (%)    | 2.7               |
| Static efficiency (%)                 | 33.2              |
| Effective electric power input (kW)   | 0.047             |
| Sound power level (dB(A))             | 58                |
| Declared typology                     | NRVU UVU          |