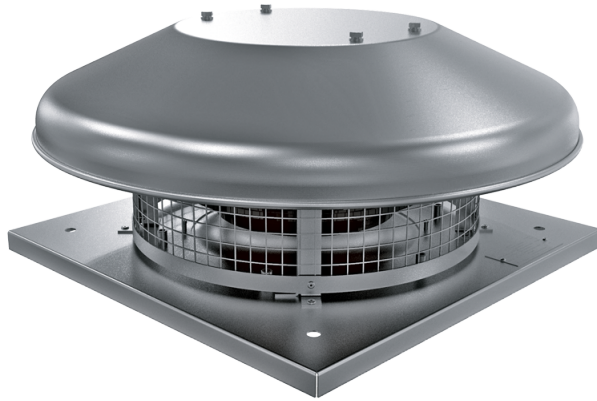


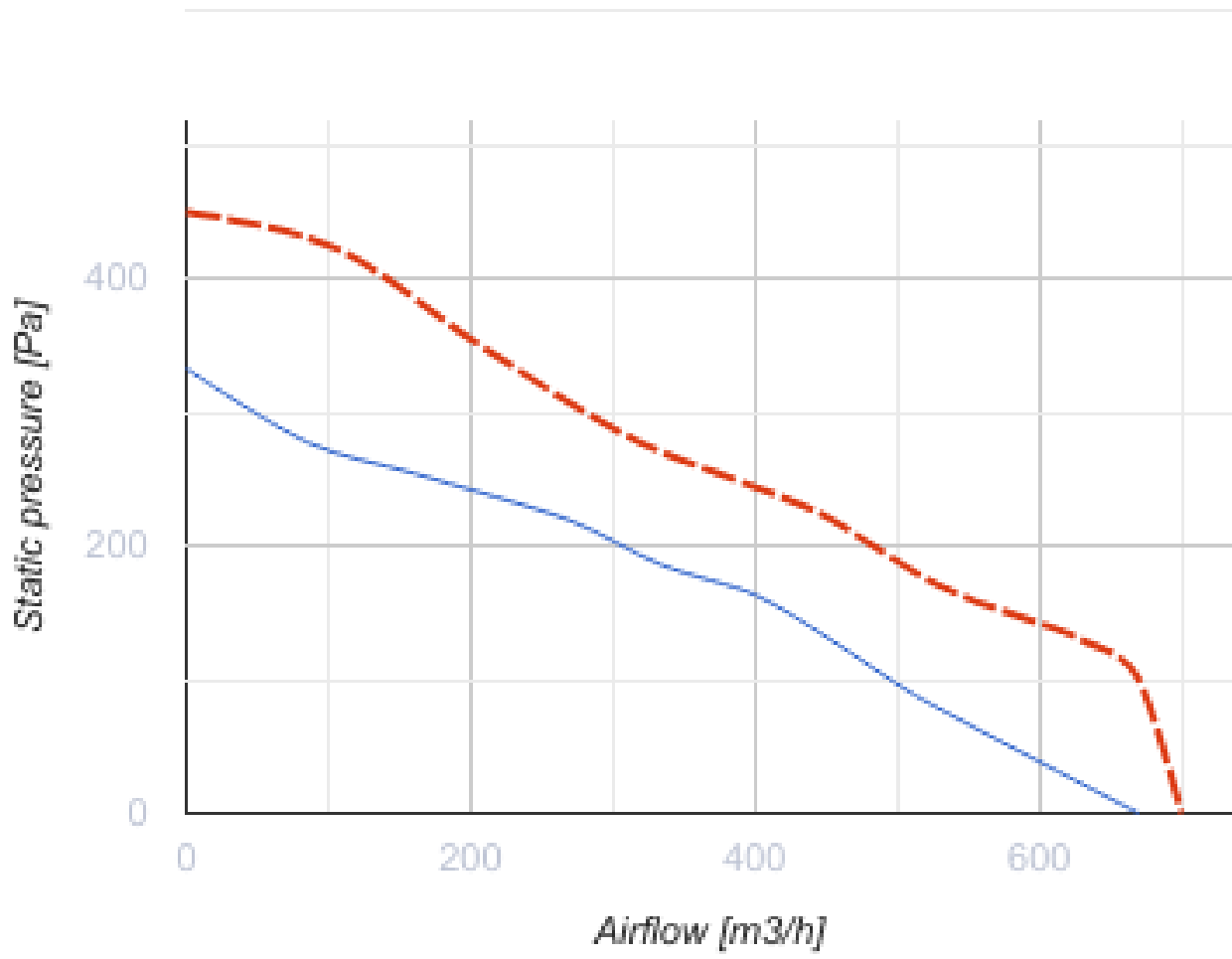
# Tower-HC 190 2E A

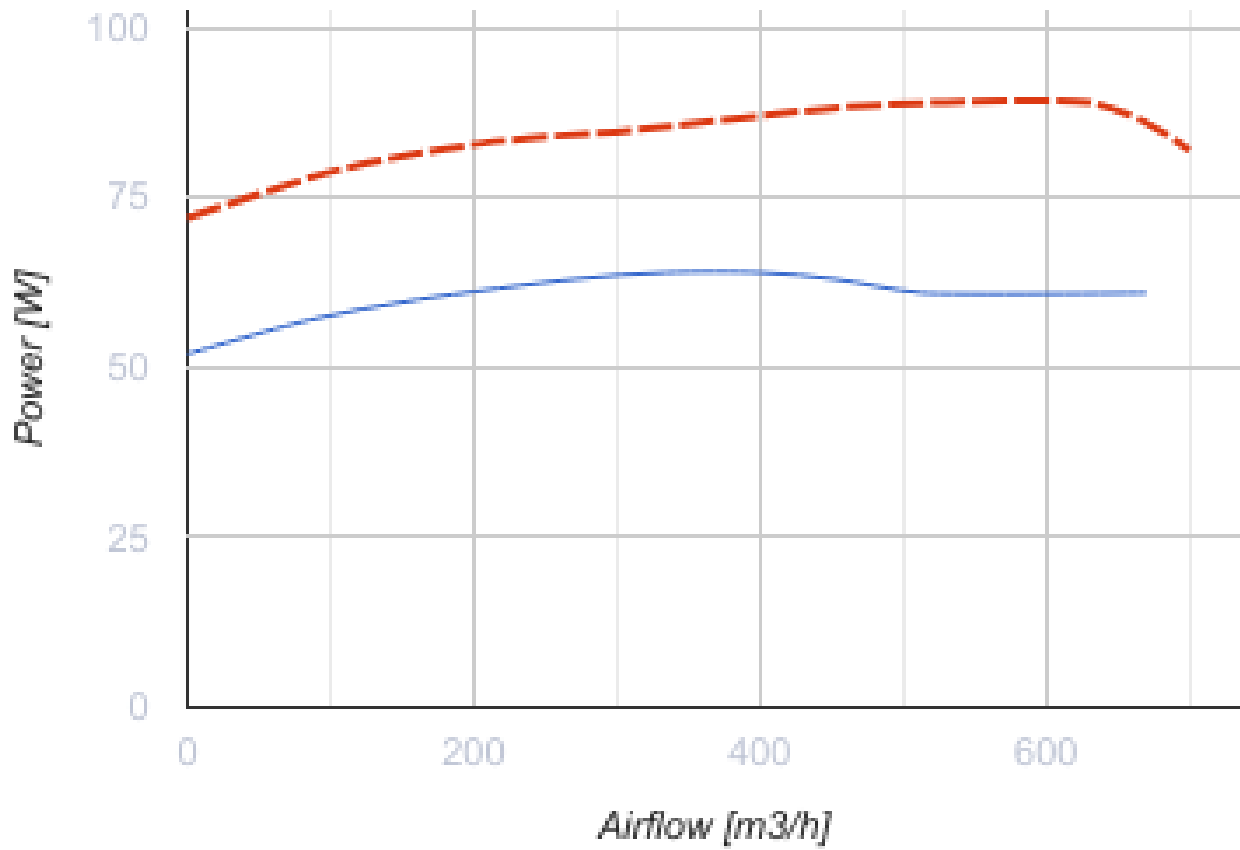
Roof centrifugal fans

- Maximum airflow: 670
- Sound pressure level LpA at 3 m: 48
- Motor type: AC
- Impeller type: Centrifugal backward curved blades
- Casing material: Aluminium



	Unit of measurement	Tower-HC 190 2E A	
Speed	-	1	
Phases	-	1	
Minimum supply voltage	V	230	
Maximum supply voltage	V	230	
Power supply frequency	Hz	50	60
Rated power	W	64	
Unit current	A	0.29	
Maximum airflow	m <sup>3</sup> /h	670	
Sound pressure level LpA at 3 m	dB(A)	48	
Weight	kg	7	
Transported air temperature (max)	°C	50	
Transported air temperature (min)	°C	-25	
Ingress protection rating	-	IPX4	
Ingress protection rating of the drive	-	IP44	





### Dimensions

H	ØD	ØD1	L	L1
178	503	210	330	245

