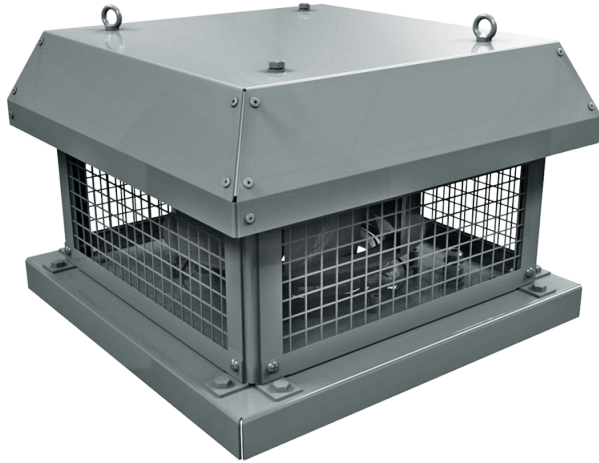


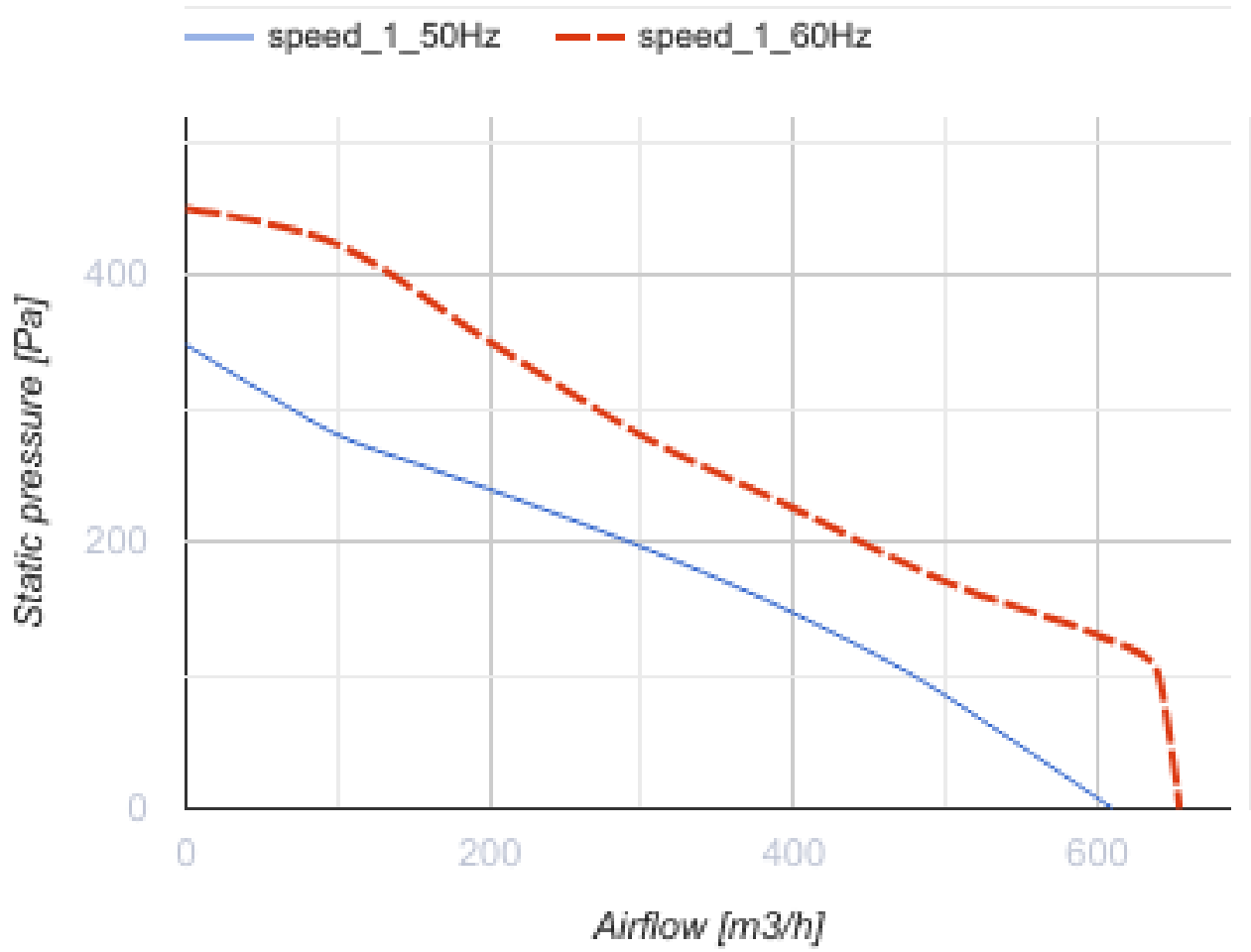
Tower-H 190 2E

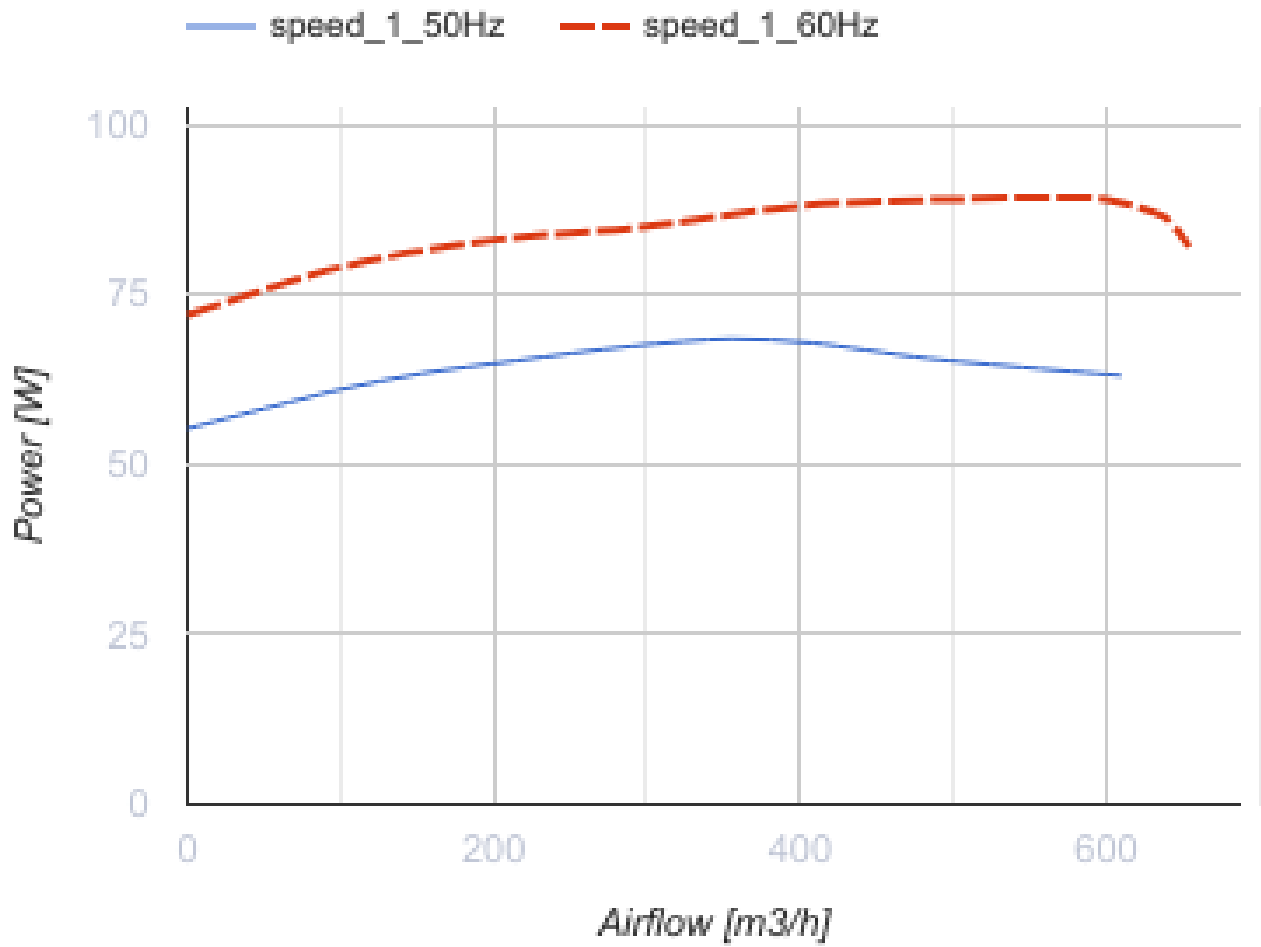
Roof centrifugal fans



- Maximum airflow: 610
- Sound pressure level LpA at 3 m: 48
- Motor type: AC
- Impeller type: Centrifugal backward curved blades
- Casing material: Coated steel

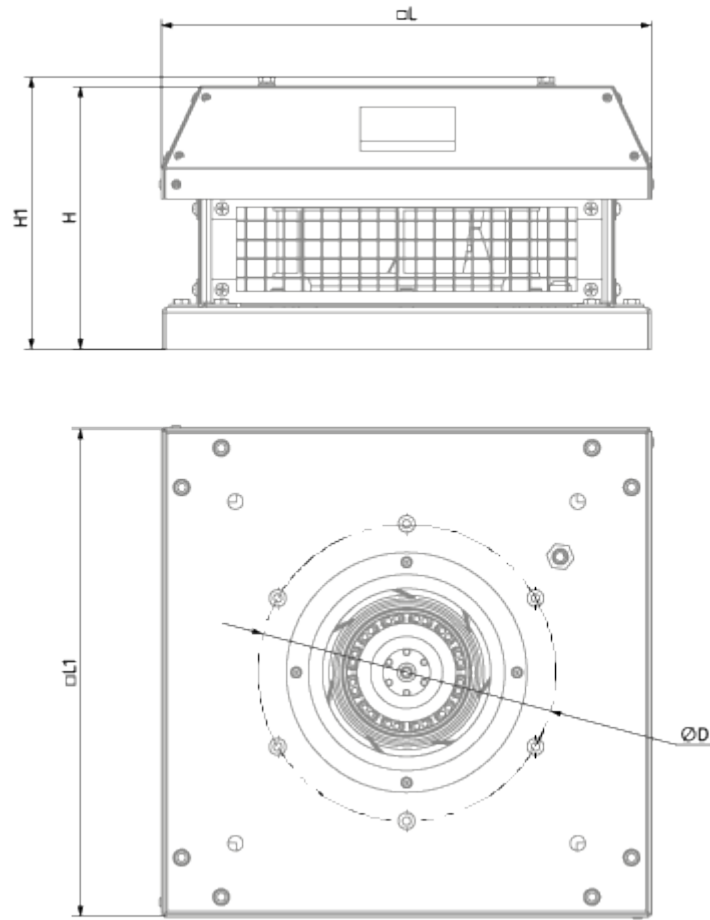
	Unit of measurement	Tower-H 190 2E
Speed	-	1
Minimum supply voltage	V	230
Maximum supply voltage	V	230
Power supply frequency	Hz	50/60
Rated power	W	69
Unit current	A	0.3
Maximum airflow	m ³ /h	610
Sound pressure level LpA at 3 m	dB(A)	48
Weight	kg	8.2
Transported air temperature (max)	°C	50
Transported air temperature (min)	°C	-25
Ingress protection rating	-	IPX4
Ingress protection rating of the drive	-	IP44






Dimensions

ØD	H	H1	L	L1
213	189	195	351	350



Accessories

Other accessories

Name	Photo	Description
CDT E1.8		Thyristor speed controller