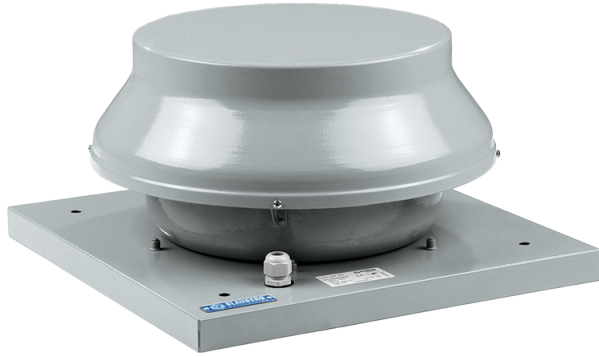


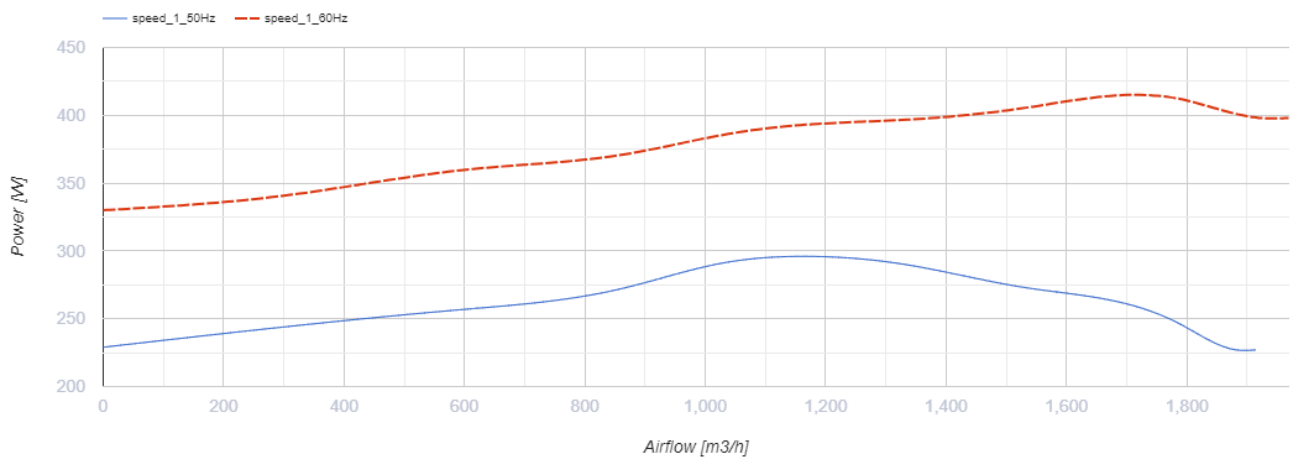
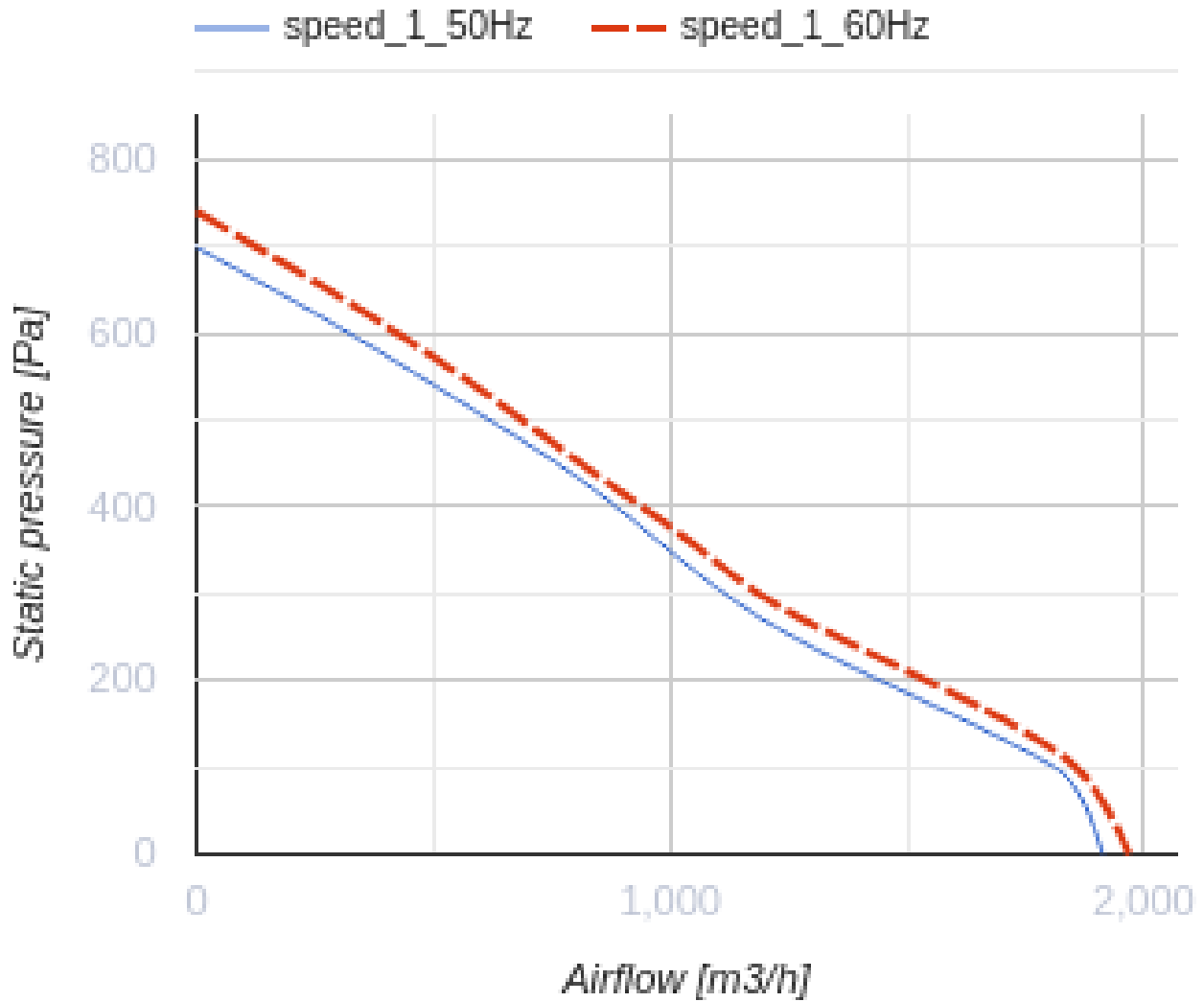
Tower-AM 315

Roof centrifugal fans



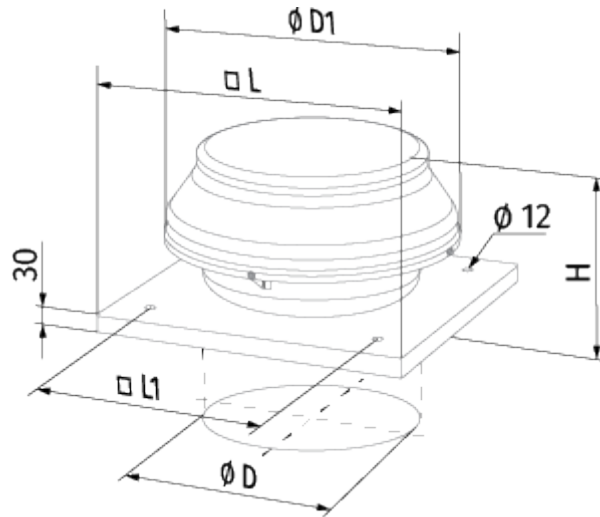
- Maximum airflow: 1880
- Sound pressure level LpA at 3 m: 54
- Motor type: AC
- Impeller type: Centrifugal backward curved blades
- Casing material: Coated steel

	Unit of measurement	Tower-AM 315
Connected air duct size	mm	315
Speed	-	1
Phases	-	1
Minimum supply voltage	V	220
Maximum supply voltage	V	240
Power supply frequency	Hz	50
Rated power	W	296
Unit current	A	1.34
Maximum airflow	m ³ /h	1880
Sound pressure level LpA at 3 m	dB(A)	54
Weight	kg	12.3
Transported air temperature (max)	°C	45
Transported air temperature (min)	°C	-25
Ingress protection rating	-	IPX4
Ingress protection rating of the drive	-	IP44



Dimensions

$\varnothing D$	$\varnothing D1$	H	L	L1
315	550	339	590	450



Ecodesign

Trademark	Blauberg
Model	Tower-AM 315
Type of ventilation unit	Unidirectional
Type of drive installed	External MSD or VSD
Type of heat recovery system	None
Nominal flow rate (m ³ /s)	0.223
Nominal external pressure (Pa)	428
Maximum external leakage rates (%)	2.7
Static efficiency (%)	36.2
Declared typology	NRVU UVU
Sound power level (dB(A))	74
Effective electric power input (kW)	0.269

Accessories

Other accessories

Name	Photo	Description
CDT E1.8		Thyristor speed controller