

# Solo A50 S4 Pro R V.2

Wall ventilator with heat and energy recovery

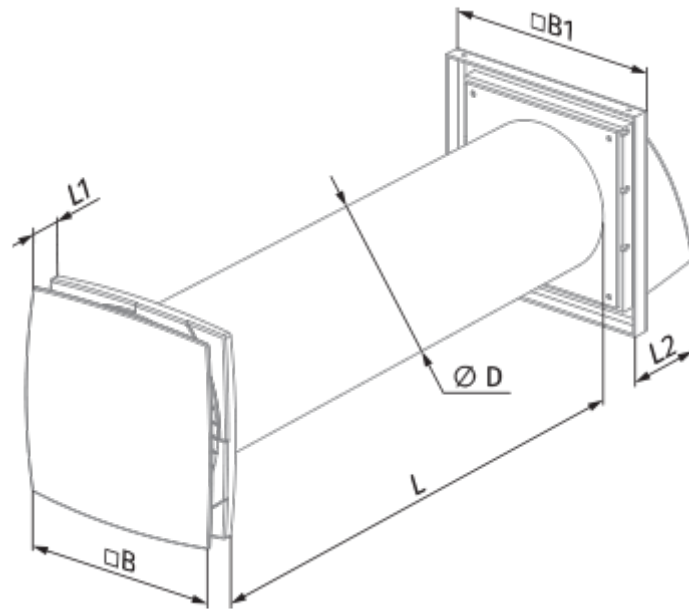


- Air flow in heat recovery mode: 13
- Sound pressure level LpA at 3 m: 29
- Heat recovery efficiency: 75
- Heat exchanger type: Regenerative
- Motor type: EC
- Control: Remote Control
- Casing material: Plastic
- Humidity sensor: Built-in

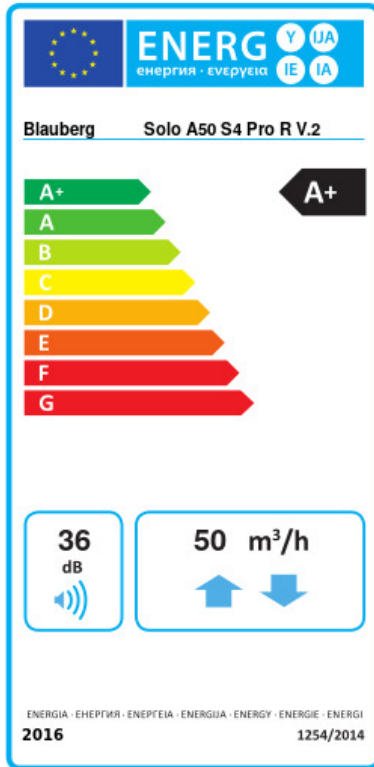
|                                   | Unit of measurement | Solo A50 S4 Pro R V.2 |       |
|-----------------------------------|---------------------|-----------------------|-------|
| Speed                             | -                   | 2                     |       |
| Minimum supply voltage            | V                   | 220                   |       |
| Maximum supply voltage            | V                   | 240                   |       |
| Power supply frequency            | Hz                  | 50/60                 |       |
| Rated power                       | W                   | 2.30                  | 4.00  |
| Unit current                      | A                   | 0.070                 | 0.075 |
| Air flow in ventilation mode      | m <sup>3</sup> /h   | 25                    | 50    |
| Air flow in heat recovery mode    | m <sup>3</sup> /h   | 13                    |       |
| Sound pressure level LpA at 3 m   | dB(A)               | 16                    | 29    |
| Sound pressure level LpA at 1 m   | dB(A)               |                       |       |
| Heat recovery efficiency          | %                   | 75                    |       |
| Heat recovery efficiency, max     | %                   | 0                     |       |
| Heat exchanger type               | -                   | Regenerative          |       |
| Heat exchanger material           | -                   | Ceramic               |       |
| Transported air temperature (max) | °C                  | 40                    |       |
| Transported air temperature (min) | °C                  | -15                   |       |
| Ambient air temperature min       | °C                  | 1                     |       |
| Ambient air temperature max       | °C                  | 40                    |       |
| Ambient air humidity max          | %                   | 65                    |       |
| Ingress protection rating         | -                   | IP24                  |       |

## Dimensions

| $\varnothing D$ | B   | B1  | L       | L1 | L2 |
|-----------------|-----|-----|---------|----|----|
| 131             | 175 | 186 | 305-380 | 35 | 85 |



## Ecodesign



|   |                       |    |         |    |       |   |
|---|-----------------------|----|---------|----|-------|---|
| Trademark   | Blauberg              |    |         |    |       |   |
| Model   | Solo A50 S4 Pro R V.2 |    |         |    |       |   |
| Specific energy consumption (SEC) (kWh/(m <sup>2</sup> /a)) | Cold                  |    | Average |    | Warm  |   |
|   | -83.7                 | A+ | -42.5   | A+ | -18.9 | E |
| Type of ventilation unit                                    | Bidirectional         |    |         |    |       |   |
| Type of drive installed                                     | 2-speed               |    |         |    |       |   |
| Type of heat recovery system                                | Regenerative          |    |         |    |       |   |
| Thermal efficiency of heat recovery (%)                     | 74                    |    |         |    |       |   |
| Maximum flow rate (m <sup>3</sup> /h)                       | 50                    |    |         |    |       |   |
| Electric power input (W)                                    | 2.3                   |    |         |    |       |   |
| Reference flow rate (m <sup>3</sup> /s)                     | 0.007                 |    |         |    |       |   |
| Specific power input (SPI) (W/(m <sup>3</sup> /h))          | 0.028                 |    |         |    |       |   |
| Control typology  | Local demand control  |    |         |    |       |   |
| Airflow sensitivity at +20 Pa and -20 Pa (%)                | 0                     |    |         |    |       |   |
| Sound power level (dB(A))                                   | 36                    |    |         |    |       |   |
| Declared typology   | RVU BVU               |    |         |    |       |   |
| The annual electricity consumption (AEC) (kWh/a)            | Cold                  |    | Average |    | Warm  |   |
|   | 23                    |    | 23      |    | 23    |   |
| The annual heating saved (AHS) (kWh/a)                      | Cold                  |    | Average |    | Warm  |   |
|   | 84                    |    | 43      |    | 19    |   |