

Solo A35 S4 Pro R V.2

Wall ventilator with heat and energy recovery

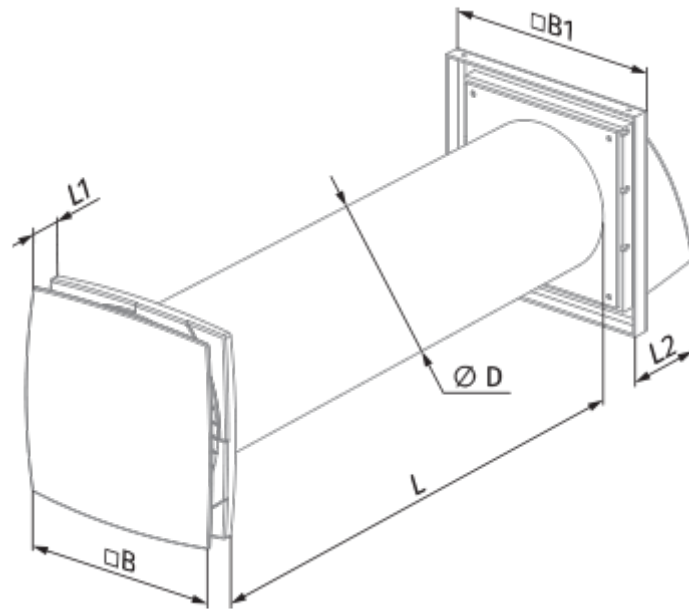


- Sound pressure level LpA at 3 m: 26
- Heat recovery efficiency: 75
- Heat exchanger type: Regenerative
- Motor type: EC
- Control: Remote Control
- Casing material: Plastic
- Humidity sensor: Built-in

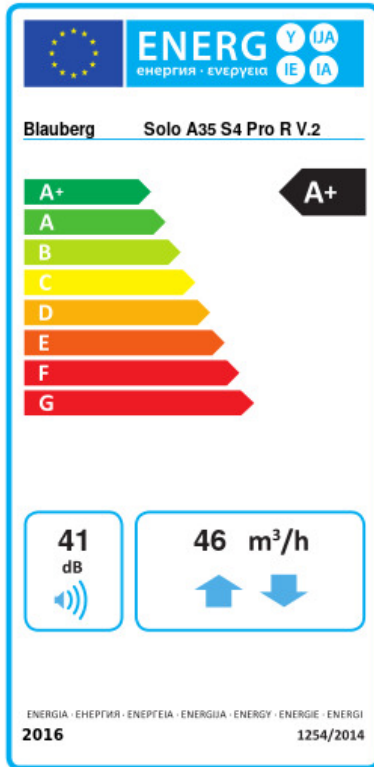
	Unit of measurement	Solo A35 S4 Pro R V.2	
Speed	-	2	
Minimum supply voltage	V	220	
Maximum supply voltage	V	240	
Power supply frequency	Hz	50/60	
Rated power	W	2.40	3.70
Unit current	A	0.070	0.073
Air flow in ventilation mode	m ³ /h	30	46
Air flow in heat recovery mode	m ³ /h		
Sound pressure level LpA at 3 m	dB(A)	21	26
Sound pressure level LpA at 1 m	dB(A)		
Heat recovery efficiency	%	75	
Heat recovery efficiency, max	%	0	
Heat exchanger type	-	Regenerative	
Heat exchanger material	-	Ceramic	
Transported air temperature (max)	°C	40	
Transported air temperature (min)	°C	-15	
Ambient air temperature min	°C	1	
Ambient air temperature max	°C	40	
Ambient air humidity max	%	65	
Ingress protection rating	-	IP24	

Dimensions

$\varnothing D$	B	B1	L	L1	L2
106	150	153	305-380	35	69



Ecodesign



Trademark	Blauberg					
Model	Solo A35 S4 Pro R V.2					
Specific energy consumption (SEC) (kWh/(m ² /a))	Cold		Average		Warm	
	-83.3	A+	-42.1	A+	-18.5	E
Type of ventilation unit	Bidirectional					
Type of drive installed	2-speed					
Type of heat recovery system	Regenerative					
Thermal efficiency of heat recovery (%)	74					
Maximum flow rate (m ³ /h)	46					
Electric power input (W)	2.3					
Reference flow rate (m ³ /s)	0.008					
Specific power input (SPI) (W/(m ³ /h))	0.05					
Control typology	Local demand control					
Airflow sensitivity at +20 Pa and -20 Pa (%)	0					
Sound power level (dB(A))	41					
Declared typology	RVU BVU					
The annual electricity consumption (AEC) (kWh/a)	Cold		Average		Warm	
	41		41		41	
The annual heating saved (AHS) (kWh/a)	Cold		Average		Warm	
	84		43		19	