



Primo 315 max

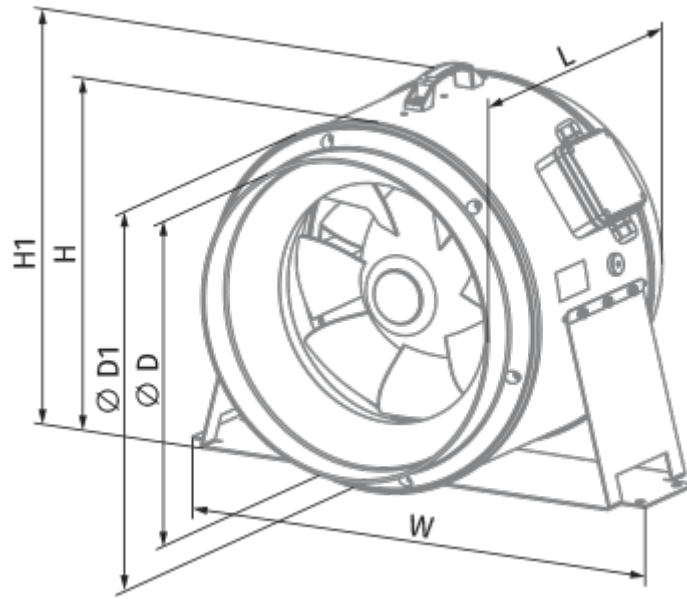
Mixed-flow inline fans

- Motor type: AC
- Impeller type: Mixed-flow
- Casing material: Plastic
- Installation in any position

	Unit of measurement	Primo 315 max		
Connected air duct size	mm	315		
Speed	-	3		
Phases	-	1		
Minimum supply voltage	V	230		
Maximum supply voltage	V	230		
Power supply frequency	Hz	50		
Unit current	A	1.38	2.11	3.24
Transported air temperature (max)	°C	55		
Transported air temperature (min)	°C	-25		
Ingress protection rating	-	IPX4		
Ingress protection rating of the drive	-	IP20		

Dimensions

ØD	ØD1	H	H1	L	W
315	406	408	439	372	566



Accessories

Speed control switches

Name	Photo	Description
CDPE-3 E5		