

KOMFORT Roto EC LHP 400 S17

Compact heat recovery air handling units



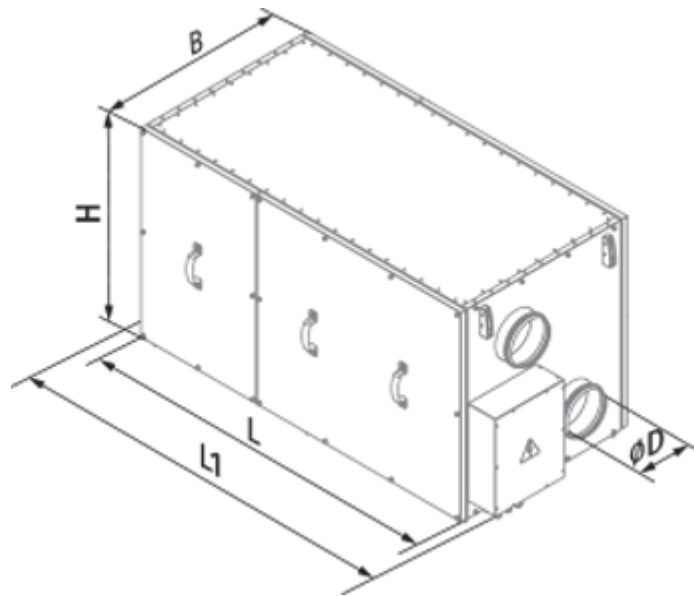
- Maximum airflow: 520
- Sound pressure level LpA at 3 m: 45
- Heat exchanger type: Rotary
- Extract filter: G4
- Supply filter: G4 (option: F7)
- Sound insulation
- Motor type: EC
- Control: Wired control panel
- Casing material: Aluzinc steel
- Humidity sensor: Optional
- CO2 sensor: Optional
- VOC sensor: Optional
- PM2.5 sensor: Optional

	Unit of measurement	KOMFORT Roto EC LHP 400 S17
Connected air duct size	mm	160
Speed	-	1
Phases	-	1
Minimum supply voltage	V	230
Maximum supply voltage	V	230
Power supply frequency	Hz	50
Rated power	W	745
Unit current	A	4.6
Maximum airflow	m ³ /h	520
Sound pressure level LpA at 3 m	dB(A)	45
Heat recovery efficiency, max	%	85
Heat exchanger type	-	Rotary
Heat exchanger material	-	Aluminum
Weight	kg	150
Extract filter	-	G4
Supply filter	-	G4 (option: F7)
Transported air temperature (max)	°C	40
Transported air temperature (min)	°C	-10
Ambient air temperature min	°C	1
Ambient air temperature max	°C	40
Ambient air humidity max	%	80

Ingress protection rating	-	IP22
Ingress protection rating of the drive	-	IP44


Dimensions

ØD	B	H	L	L1
159	648	710	1250	1421





Accessories

Other accessories


Name	Photo	Description
FP 600x332x48 G4		G4 panel filter
FPT 600x330x27 G4		
FPT 600x330x27 F7		

Other accessories

Name	Photo	Description
VRV 160		Backdraft dampers with spring for round ducts

VKA 160		Air dampers for round ducts
-------------------------	---	-----------------------------

Other accessories

Name	Photo	Description
FS2		Humidity sensor