



# KOMFORT LW 800-4

Heat recovery air handling units

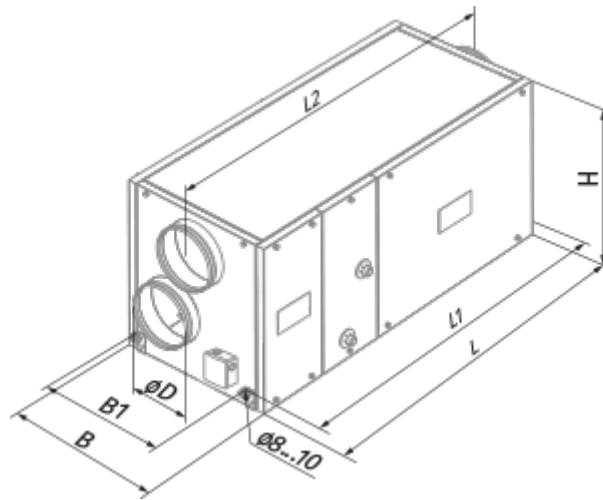
- Maximum airflow: 780
- Sound pressure level LpA at 3 m: 48
- Heat exchanger type: Cross flow
- Extract filter: G4
- Supply filter: G4
- Sound insulation
- Motor type: AC
- Reheater: Water
- Control: Wired control panel
- Casing material: Aluzinc steel

	Unit of measurement	KOMFORT LW 800-4
Connected air duct size	mm	250
Speed	-	1
Phases	-	1
Minimum supply voltage	V	230
Maximum supply voltage	V	230
Power supply frequency	Hz	50
Rated power	W	490
Unit current	A	2.16
Maximum airflow	m <sup>3</sup> /h	780
Sound pressure level LpA at 3 m	dB(A)	48
Heat recovery efficiency, max	%	78
Heat exchanger type	-	Cross flow
Heat exchanger material	-	Polystyrene
Weight	kg	88
Extract filter	-	G4
Supply filter	-	G4
Transported air temperature (max)	°C	40
Transported air temperature (min)	°C	-25
Ambient air temperature min	°C	1
Ambient air temperature max	°C	40
Ambient air humidity max	%	80

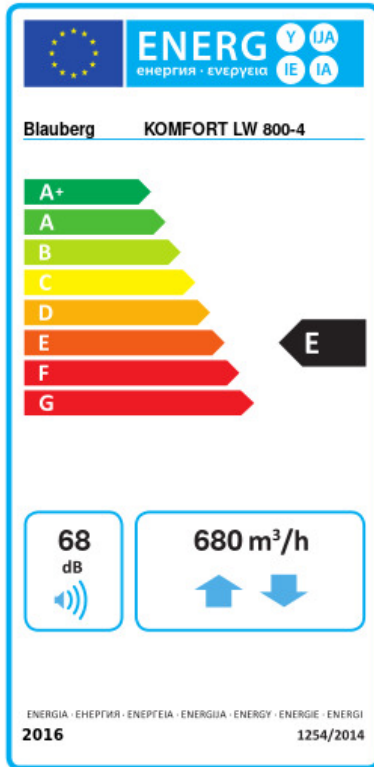
Ingress protection rating	-	IP22
Ingress protection rating of the drive	-	IP44

## Dimensions

ØD	B	B1	H	L	L1	L2
249	613	460	698	1071	1117	1171



## Ecodesign




Trademark	Blauberg					
Model	KOMFORT LW 800-4					
Specific energy consumption (SEC) (kWh/(m <sup>2</sup> /a))	Cold	Average	Warm			
	50.4	A+	19.8	E	0.3	G
Type of ventilation unit	Bidirectional					
Type of drive installed	Multi-speed					
Type of heat recovery system	Recuperative					
Thermal efficiency of heat recovery (%)	64					
Maximum flow rate (m <sup>3</sup> /h)	680					
Electric power input (W)	490					
Reference flow rate (m <sup>3</sup> /s)	0.136					
Reference pressure difference (Pa)	50					
Specific power input (SPI) (W/(m <sup>3</sup> /h))	0.551					
Control typology	Manual control					
Maximum internal leakage rates (%)	2.7					
Maximum external leakage rates (%)	2.7					
Declared typology	RVU BVU					
Sound power level (dB(A))	68					
The annual electricity consumption (AEC) (kWh/a)	Cold	Average	Warm			
	1272	735	690			
The annual heating saved (AHS) (kWh/a)	Cold	Average	Warm			
	7343	3754	1697			

## Accessories


### Other accessories

Name	Photo	Description
FP 550x253x48 G4		G4 panel filter
SB C4 300/384		

### Other accessories

Name	Photo	Description
<a href="#">SD 250/600</a>		Silencers for round ducts
<a href="#">SD 250/900</a>		Silencers for round ducts
<a href="#">SD 250/1200</a>		Silencers for round ducts
<a href="#">SDF 250/600</a>		Flexible silencers for round ducts
<a href="#">SDF 250/900</a>		Flexible silencers for round ducts
<a href="#">SDF 250/2000</a>		Flexible silencers for round ducts

#### Other accessories

Name	Photo	Description
<a href="#">VRV 250</a>		Backdraft dampers with spring for round ducts