



KOMFORT LE 530-4

Heat recovery air handling units

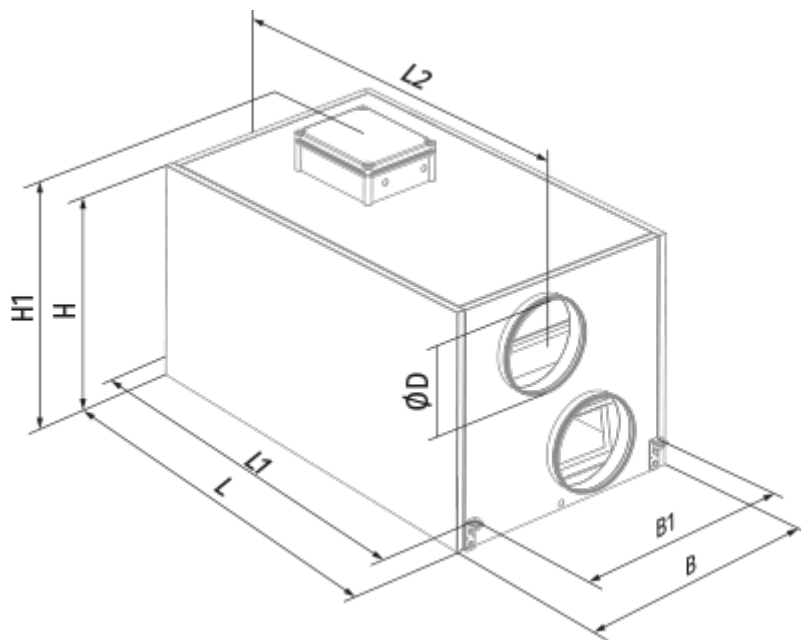
- Power of electrical reheater: 4000
- Maximum airflow: 530
- Sound pressure level LpA at 3 m: 28-47
- Heat exchanger type: Cross flow
- Extract filter: G4
- Supply filter: G4
- Sound insulation
- Motor type: AC
- Reheater: Electric
- Control: Wired control panel
- Casing material: Aluzinc steel

| | Unit of measurement | KOMFORT LE 530-4 |
|-----------------------------------|---------------------|------------------|
| Connected air duct size | mm | 160 |
| Speed | - | 1 |
| Phases | - | 1 |
| Minimum supply voltage | V | 230 |
| Maximum supply voltage | V | 230 |
| Power supply frequency | Hz | 50/60 |
| Rated power | W | 300 |
| Power of electrical reheater | W | 4000 |
| Unit current | A | 18.72 |
| Maximum airflow | m ³ /h | 530 |
| Sound pressure level LpA at 3 m | dB(A) | 28-47 |
| Heat recovery efficiency, max | % | 88 |
| Heat exchanger type | - | Cross flow |
| Heat exchanger material | - | Polystyrene |
| Weight | kg | 49 |
| Extract filter | - | G4 |
| Supply filter | - | G4 |
| Transported air temperature (max) | °C | 40 |
| Transported air temperature (min) | °C | -25 |
| Ambient air temperature min | °C | 1 |
| Ambient air temperature max | °C | 40 |

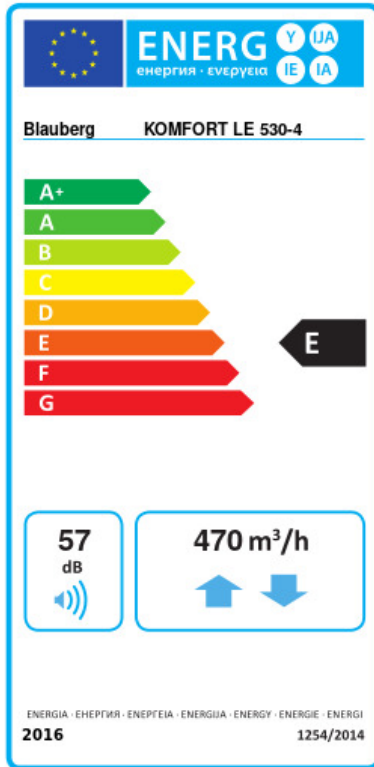
| | | |
|----------------------------------------|---|------|
| Ambient air humidity max | % | 80 |
| Ingress protection rating | - | IP22 |
| Ingress protection rating of the drive | - | IP44 |

Dimensions

| ØD | B | B1 | H | H1 | L | L1 | L2 |
|-----|-----|-----|-----|----|-----|-----|------|
| 159 | 497 | 403 | 554 | - | 954 | 996 | 1057 |



Ecodesign



| | | | |
|-------------------------------------------------------------|------------------|---------|---------|
| Trademark | Blauberg | | |
| Model | KOMFORT LE 530-4 | | |
| Specific energy consumption (SEC) (kWh/(m ² /a)) | Cold | Average | Warm |
| | 48.8 | A+ 18.2 | E 1.9 G |
| Type of ventilation unit | Bidirectional | | |
| Type of drive installed | Multi-speed | | |
| Type of heat recovery system | Recuperative | | |
| Thermal efficiency of heat recovery (%) | 64 | | |
| Maximum flow rate (m ³ /h) | 470 | | |
| Electric power input (W) | 300 | | |
| Reference flow rate (m ³ /s) | 0.091 | | |
| Reference pressure difference (Pa) | 50 | | |
| Specific power input (SPI) (W/(m ³ /h)) | 0.602 | | |
| Control typology | Manual control | | |
| Maximum internal leakage rates (%) | 2.7 | | |
| Maximum external leakage rates (%) | 2.7 | | |
| Declared typology | RVU BVU | | |
| Sound power level (dB(A)) | 57 | | |
| The annual electricity consumption (AEC) (kWh/a) | Cold | Average | Warm |
| | 1336 | 799 | 754 |
| The annual heating saved (AHS) (kWh/a) | Cold | Average | Warm |
| | 7343 | 3754 | 1697 |

Accessories


Other accessories

| Name | Photo | Description |
|------------------|-------|-----------------|
| FP 438x215x48 G4 | | G4 panel filter |
| SB C4 300/300 | | |

Other accessories

| Name | Photo | Description |
|------------------------------|------------------------------------------------------------------------------------|------------------------------------|
| SD 160/600 |  | Silencers for round ducts |
| SD 160/900 |  | Silencers for round ducts |
| SD 160/1200 |  | Silencers for round ducts |
| SDF 160/600 |  | Flexible silencers for round ducts |
| SDF 160/900 |  | Flexible silencers for round ducts |
| SDF 160/2000 |  | Flexible silencers for round ducts |

Other accessories

| Name | Photo | Description |
|-------------------------|-------------------------------------------------------------------------------------|-----------------------------------------------|
| VRV 160 |  | Backdraft dampers with spring for round ducts |