



KOMFORT LE 350-3

Heat recovery air handling units

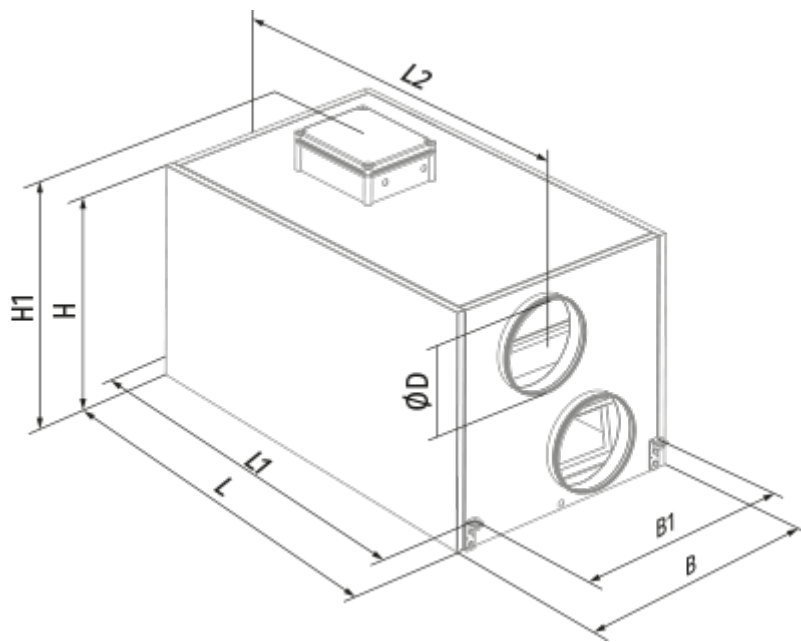
- Power of electrical reheater: 3000
- Maximum airflow: 350
- Sound pressure level LpA at 3 m: 24-45
- Heat exchanger type: Cross flow
- Extract filter: G4
- Supply filter: G4
- Sound insulation
- Motor type: AC
- Reheater: Electric
- Control: Wired control panel
- Casing material: Aluzinc steel

	Unit of measurement	KOMFORT LE 350-3
Connected air duct size	mm	125
Speed	-	1
Phases	-	1
Minimum supply voltage	V	230
Maximum supply voltage	V	230
Power supply frequency	Hz	50/60
Rated power	W	260
Power of electrical reheater	W	3000
Unit current	A	14.2
Maximum airflow	m ³ /h	350
Sound pressure level LpA at 3 m	dB(A)	24-45
Heat recovery efficiency, max	%	78
Heat exchanger type	-	Cross flow
Heat exchanger material	-	Polystyrene
Weight	kg	45
Extract filter	-	G4
Supply filter	-	G4
Transported air temperature (max)	°C	40
Transported air temperature (min)	°C	-25
Ambient air temperature min	°C	1
Ambient air temperature max	°C	40

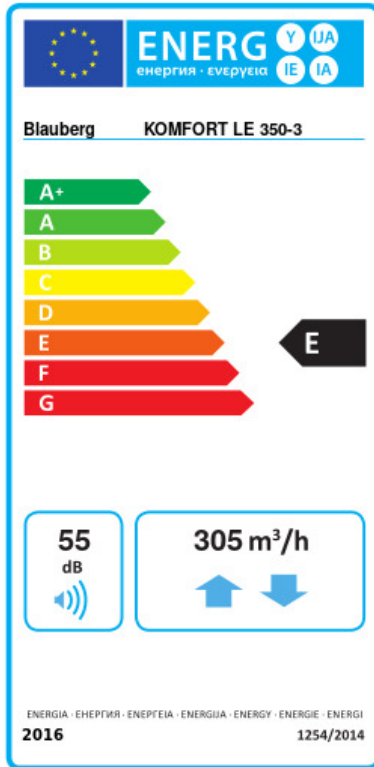
Ambient air humidity max	%	80
Ingress protection rating	-	IP22
Ingress protection rating of the drive	-	IP44

Dimensions

ØD	B	B1	H	H1	L	L1	L2
124	497	403	554	-	954	996	1057



Ecodesign



Trademark	Blauberg		
Model	KOMFORT LE 350-3		
Specific energy consumption (SEC) (kWh/(m ² /a))	Cold	Average	Warm
	44	A+ 13.2	E 7.1 G
Type of ventilation unit	Bidirectional		
Type of drive installed	Multi-speed		
Type of heat recovery system	Recuperative		
Thermal efficiency of heat recovery (%)	65		
Maximum flow rate (m ³ /h)	305		
Electric power input (W)	260		
Reference flow rate (m ³ /s)	0.059		
Reference pressure difference (Pa)	50		
Specific power input (SPI) (W/(m ³ /h))	0.773		
Control typology	Manual control		
Maximum internal leakage rates (%)	2.7		
Maximum external leakage rates (%)	2.7		
Declared typology	RVU BVU		
Sound power level (dB(A))	55		
The annual electricity consumption (AEC) (kWh/a)	Cold	Average	Warm
	1550	1013	968
The annual heating saved (AHS) (kWh/a)	Cold	Average	Warm
	7405	3785	1712

Accessories


Other accessories

Name	Photo	Description
FP 438x215x48 G4		G4 panel filter
SB C4 300/300		

Other accessories

Name	Photo	Description
SD 125/600		Silencers for round ducts
SD 125/900		Silencers for round ducts
SD 125/1200		Silencers for round ducts
SDF 125/600		Flexible silencers for round ducts
SDF 125/900		Flexible silencers for round ducts
SDF 125/2000		Flexible silencers for round ducts

Other accessories

Name	Photo	Description
VRV 125		Backdraft dampers with spring for round ducts