



KOMFORT LE 1200-9

Heat recovery air handling units

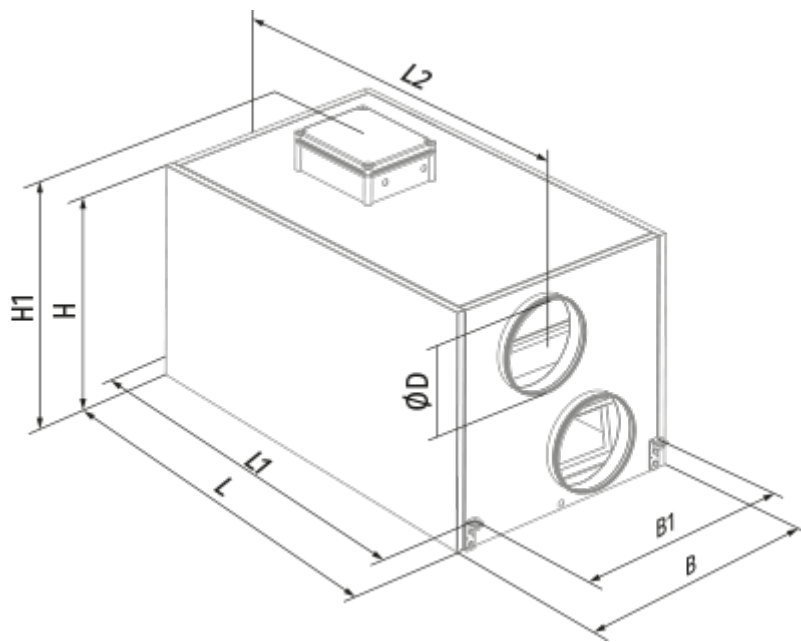
- Power of electrical reheater: 9000
- Maximum airflow: 1200
- Sound pressure level LpA at 3 m: 60
- Heat exchanger type: Cross flow
- Extract filter: G4
- Supply filter: G4
- Sound insulation
- Motor type: AC
- Reheater: Electric
- Control: Wired control panel
- Casing material: Galvanized steel

| | Unit of measurement | KOMFORT LE 1200-9 |
|-----------------------------------|---------------------|-------------------|
| Connected air duct size | mm | 249 |
| Speed | - | 1 |
| Phases | - | 3 |
| Minimum supply voltage | V | 230 |
| Maximum supply voltage | V | 230 |
| Power supply frequency | Hz | 50/60 |
| Rated power | W | 820 |
| Power of electrical reheater | W | 9000 |
| Unit current | A | 16.6 |
| Maximum airflow | m ³ /h | 1200 |
| Sound pressure level LpA at 3 m | dB(A) | 60 |
| Heat recovery efficiency, max | % | 77 |
| Heat exchanger type | - | Cross flow |
| Heat exchanger material | - | Polystyrene |
| Weight | kg | 85 |
| Extract filter | - | G4 |
| Supply filter | - | G4 |
| Transported air temperature (max) | °C | 40 |
| Transported air temperature (min) | °C | -25 |
| Ambient air temperature min | °C | 1 |
| Ambient air temperature max | °C | 40 |

| | | |
|--|---|------|
| Ambient air humidity max | % | 80 |
| Ingress protection rating | - | IP22 |
| Ingress protection rating of the drive | - | IP44 |

Dimensions

| ØD | B | B1 | H | H1 | L | L1 | L2 |
|-----|-----|-----|-----|-----|------|------|------|
| 249 | 613 | 460 | 698 | 832 | 1071 | 1117 | 1176 |



Accessories

Other accessories


| Name | Photo | Description |
|------------------|---|-----------------|
| FP 550x253x48 G4 |  | G4 panel filter |
| SB C4 300/384 | | |

Other accessories

| Name | Photo | Description |
|------|-------|-------------|
|------|-------|-------------|

| | | |
|------------------------------|---|------------------------------------|
| SD 250/600 |  | Silencers for round ducts |
| SD 250/900 |  | Silencers for round ducts |
| SD 250/1200 |  | Silencers for round ducts |
| SDF 250/600 |  | Flexible silencers for round ducts |
| SDF 250/900 |  | Flexible silencers for round ducts |
| SDF 250/2000 |  | Flexible silencers for round ducts |

Other accessories

| Name | Photo | Description |
|-------------------------|---|---|
| VRV 250 |  | Backdraft dampers with spring for round ducts |