



## KOMFORT L 350

Heat recovery air handling units

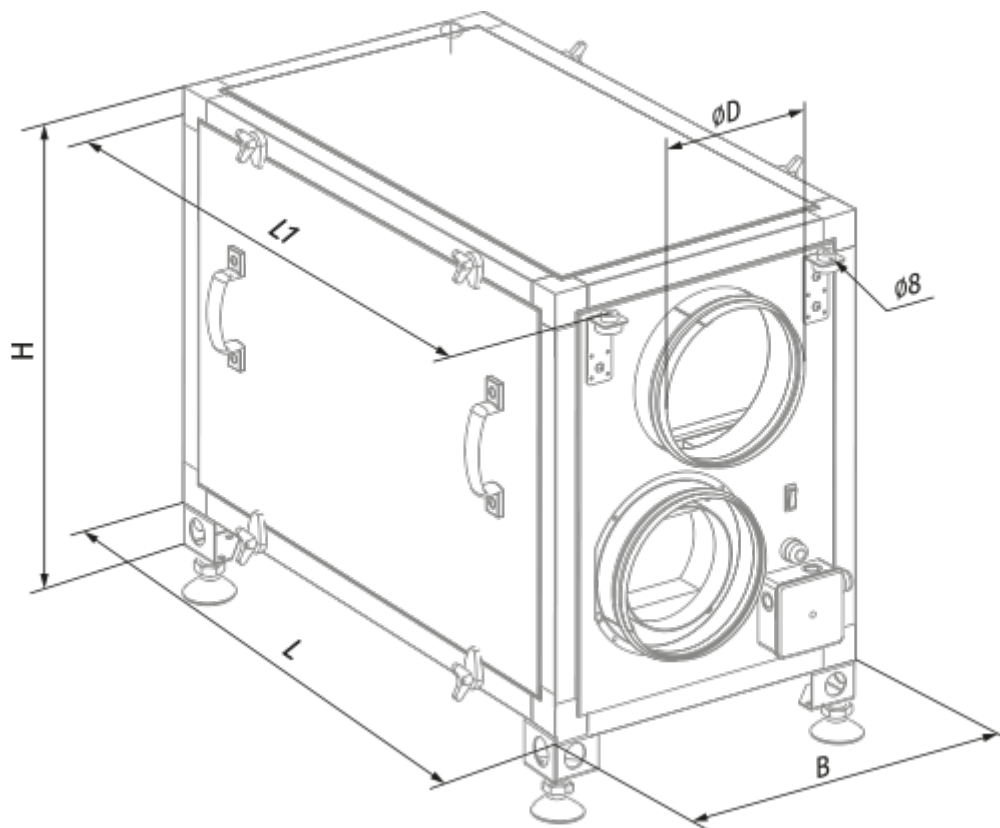
- Maximum airflow: 350
- Sound pressure level LpA at 3 m: 24-45
- Heat exchanger type: Cross flow
- Extract filter: G4
- Supply filter: G4
- Sound insulation
- Motor type: AC
- Control: Speed switch
- Casing material: Aluzinc steel

	Unit of measurement	KOMFORT L 350
Connected air duct size	mm	125
Speed	-	1
Phases	-	1
Minimum supply voltage	V	230
Maximum supply voltage	V	230
Power supply frequency	Hz	50/60
Rated power	W	260
Unit current	A	1.2
Maximum airflow	m <sup>3</sup> /h	350
Sound pressure level LpA at 3 m	dB(A)	24-45
Heat recovery efficiency, max	%	78
Heat exchanger type	-	Cross flow
Heat exchanger material	-	Polystyrene
Weight	kg	45
Extract filter	-	G4
Supply filter	-	G4
Transported air temperature (max)	°C	40
Transported air temperature (min)	°C	-25
Ambient air temperature min	°C	1
Ambient air temperature max	°C	50
Ambient air humidity max	%	80

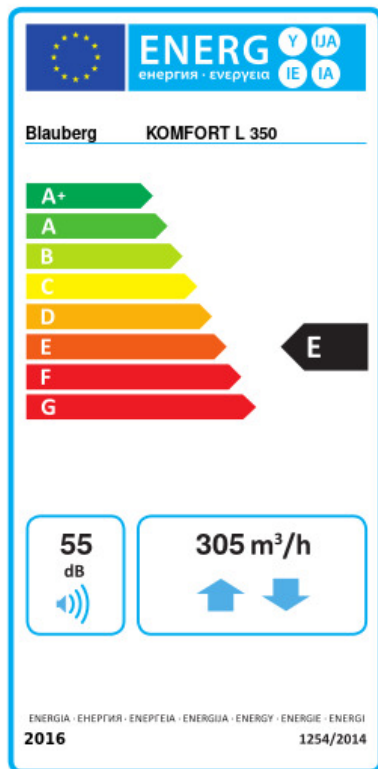
Ingress protection rating	-	IP22
Ingress protection rating of the drive	-	IP44

## Dimensions

ØD	B	H	L	L1
124	416	603	722	768



## Ecodesign






Trademark	Blauberg		
Model	KOMFORT L 350		
Specific energy consumption (SEC) (kWh/(m <sup>2</sup> /a))	Cold	Average	Warm
	44	A+ 13.2	E 7.1 G
Type of ventilation unit	Bidirectional		
Type of drive installed	Multi-speed		
Type of heat recovery system	Recuperative		
Thermal efficiency of heat recovery (%)	65		
Maximum flow rate (m <sup>3</sup> /h)	305		
Electric power input (W)	260		
Reference flow rate (m <sup>3</sup> /s)	0.059		
Reference pressure difference (Pa)	50		
Specific power input (SPI) (W/(m <sup>3</sup> /h))	0.735		
Control typology	Manual control		
Maximum internal leakage rates (%)	2.7		
Maximum external leakage rates (%)	2.7		
Declared typology	RVU BVU		
Sound power level (dB(A))	55		
The annual electricity consumption (AEC) (kWh/a)	Cold	Average	Warm
	1550	1013	968
The annual heating saved (AHS) (kWh/a)	Cold	Average	Warm
	7405	3785	1712

## Accessories


### Other accessories

Name	Photo	Description
FP 378x210x48 G4		G4 panel filter
SB C4 200/384		

### Other accessories

Name	Photo	Description
<a href="#">SD 125/600</a>		Silencers for round ducts
<a href="#">SD 125/900</a>		Silencers for round ducts
<a href="#">SD 125/1200</a>		Silencers for round ducts

### Other accessories

Name	Photo	Description
<a href="#">VRV 125</a>		Backdraft dampers with spring for round ducts