

# KOMFORT ERV EC DB 100 L S14

Suspended heat and energy recovery air handling units



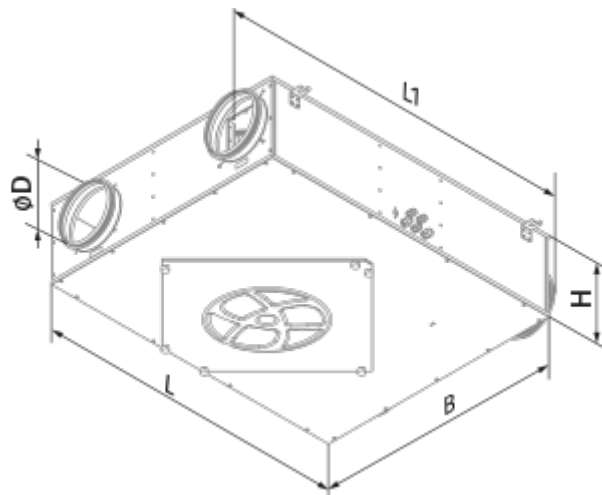
- Maximum airflow: 170
- Sound pressure level LpA at 3 m: 30
- Heat exchanger type: Cross flow
- Extract filter: G4
- Supply filter: G4 + F8 (PM2.5 > 93 %)
- Sound insulation
- Motor type: EC
- Enthalpy heat exchanger
- Bypass: Manual
- Control: Wired control panel
- Casing material: Coated steel
- Humidity sensor: Optional
- CO2 sensor: Optional

	Unit of measurement	KOMFORT ERV EC DB 100 L S14
Connected air duct size	mm	100
Speed	-	1
Phases	-	1
Minimum supply voltage	V	230
Maximum supply voltage	V	230
Power supply frequency	Hz	50/60
Rated power	W	66
Unit current	A	0.5
Maximum airflow	m <sup>3</sup> /h	170
Sound pressure level LpA at 3 m	dB(A)	30
Heat recovery efficiency, max	%	82
Heat exchanger type	-	Cross flow
Heat exchanger material	-	Enthalpy
Weight	kg	17
Extract filter	-	G4
Supply filter	-	G4 + F8 (PM2.5 > 93 %)
Transported air temperature (max)	°C	40
Transported air temperature (min)	°C	-15
Ambient air temperature min	°C	1
Ambient air temperature max	°C	40
Ambient air humidity max	%	60

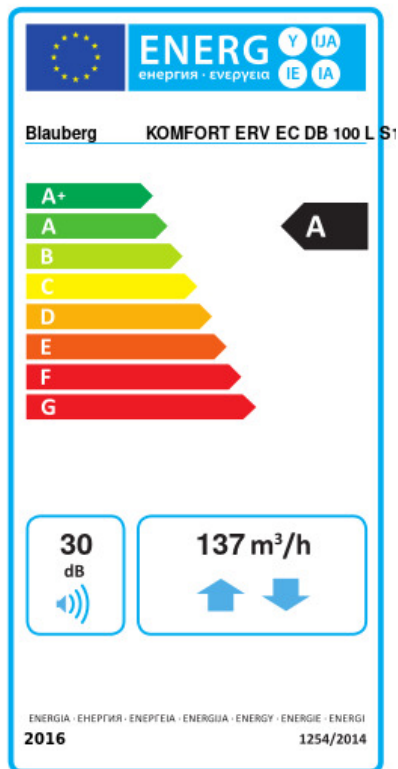
Ingress protection rating	-	IP22
Ingress protection rating of the drive	-	IP44

## Dimensions

D	B	H	L	L1
100	481	204	600	734



## Ecodesign






Trademark	Blauberg					
Model	KOMFORT ERV EC DB 100 L S14					
Specific energy consumption (SEC) (kWh/(m <sup>2</sup> /a))	Cold		Average		Warm	
	0	A+	0	A	0	E
Type of ventilation unit	Bidirectional					
Type of drive installed	Variable speed					
Type of heat recovery system	Recuperative					
Thermal efficiency of heat recovery (%)	0					
Maximum flow rate (m <sup>3</sup> /h)	0					
Electric power input (W)	0					
Reference flow rate (m <sup>3</sup> /s)	0					
Reference pressure difference (Pa)	0					
Specific power input (SPI) (W/(m <sup>3</sup> /h))	0					
Control typology	Local demand control					
Maximum internal leakage rates (%)	0					
Maximum external leakage rates (%)	0					
Declared typology	RVU BVU					
Sound power level (dB(A))	0					
The annual electricity consumption (AEC) (kWh/a)	Cold		Average		Warm	
	0		0		0	
The annual heating saved (AHS) (kWh/a)	Cold		Average		Warm	
	0		0		0	

## Accessories


### Other accessories

Name	Photo	Description
FP 200x191x20 G4		G4 panel filter
FP 200x191x20 F8		

### Other accessories

Name	Photo	Description
<a href="#">FS2</a>		Humidity sensor
<a href="#">CD-1</a>		CO2 sensors
<a href="#">CD-2</a>		CO2 sensors

### Other accessories

Name	Photo	Description
<a href="#">VKA 100</a>		Air dampers for round ducts