



Jet 100

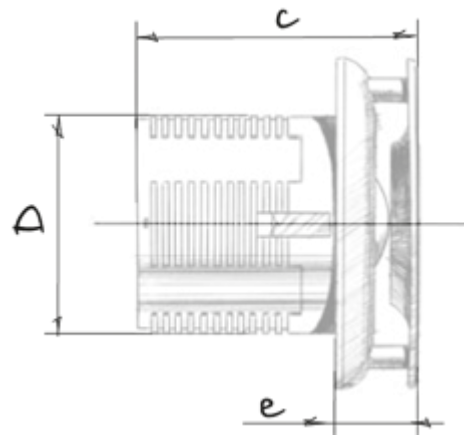
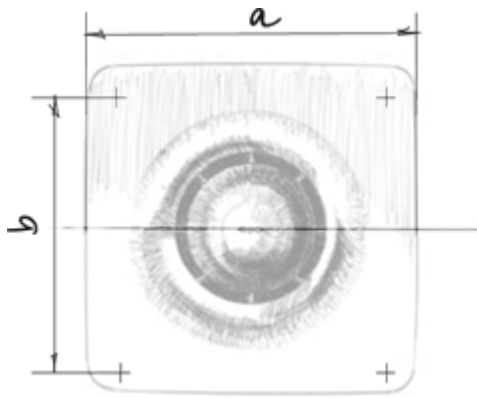
Extract fans

- Maximum airflow: 95
- Sound pressure level LpA at 3 m: 34
- Motor type: AC
- Casing material: Plastic

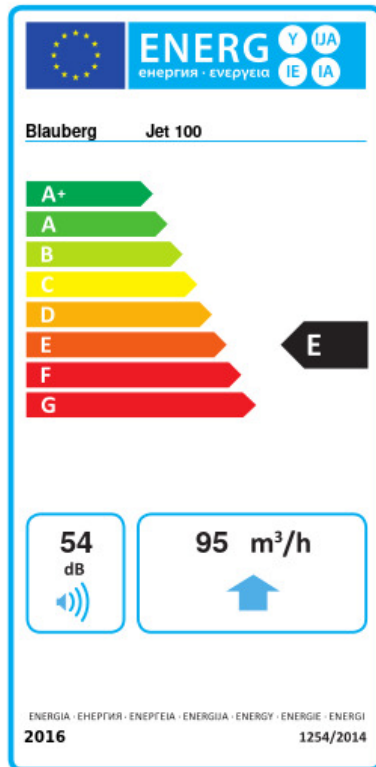
	Unit of measurement	Jet 100
Connected air duct size	mm	100
Speed	-	1
Minimum supply voltage	V	220
Maximum supply voltage	V	240
Power supply frequency	Hz	50
Rated power	W	14
Unit current	A	0.085
Maximum airflow	m ³ /h	95
Sound pressure level LpA at 3 m	dB(A)	34
Ambient air temperature min	°C	1
Ambient air temperature max	°C	40
Ingress protection rating	-	IP24

Dimensions

a	b	c	Ø d	e
150	122	125	98	36



Ecodesign



Trademark	Blaubeurg		
Model	Jet 100		
Specific energy consumption (SEC) (kWh/(m ² /a))	Cold	Average	Warm
	-31 B	-14 E	-5 F
Type of ventilation unit	Unidirectional		
Type of drive installed	Multi-speed		
Type of heat recovery system	None		
Maximum flow rate (m ³ /h)	95		
Electric power input (W)	14		
Reference flow rate (m ³ /s)	0.018		
Specific power input (SPI) (W/(m ³ /h))	0.095		
Control typology	Manual control		
Maximum external leakage rates (%)	2.7		
Declared typology	RVU UVU		
Sound power level (dB(A))	54		
The annual electricity consumption (AEC) (kWh/a)	Cold	Average	Warm
	100	100	100
The annual heating saved (AHS) (kWh/a)	Cold	Average	Warm
	3400	1700	800

Accessories

Other accessories

Name	Photo	Description
CDT E1.8		Thyristor speed controller