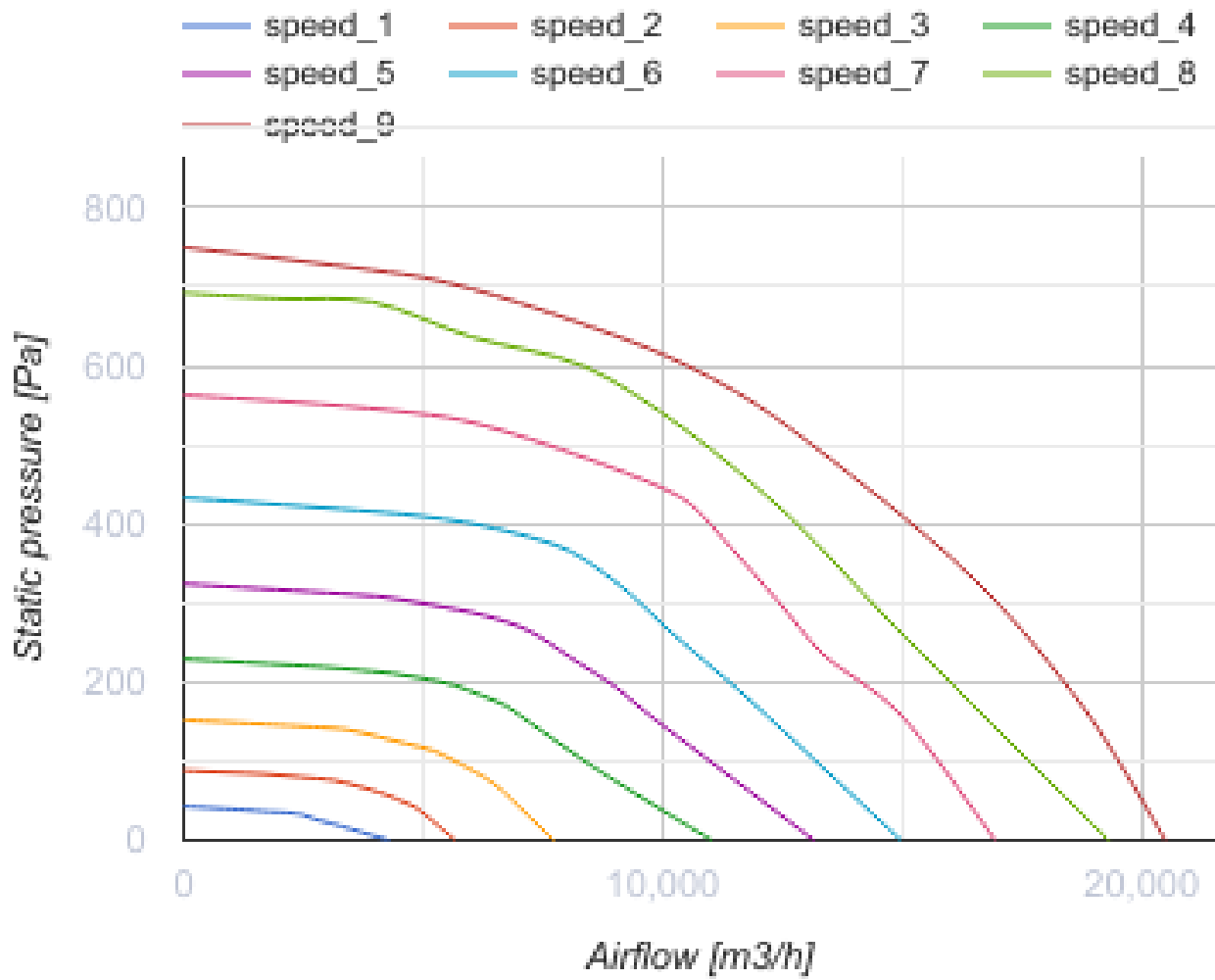
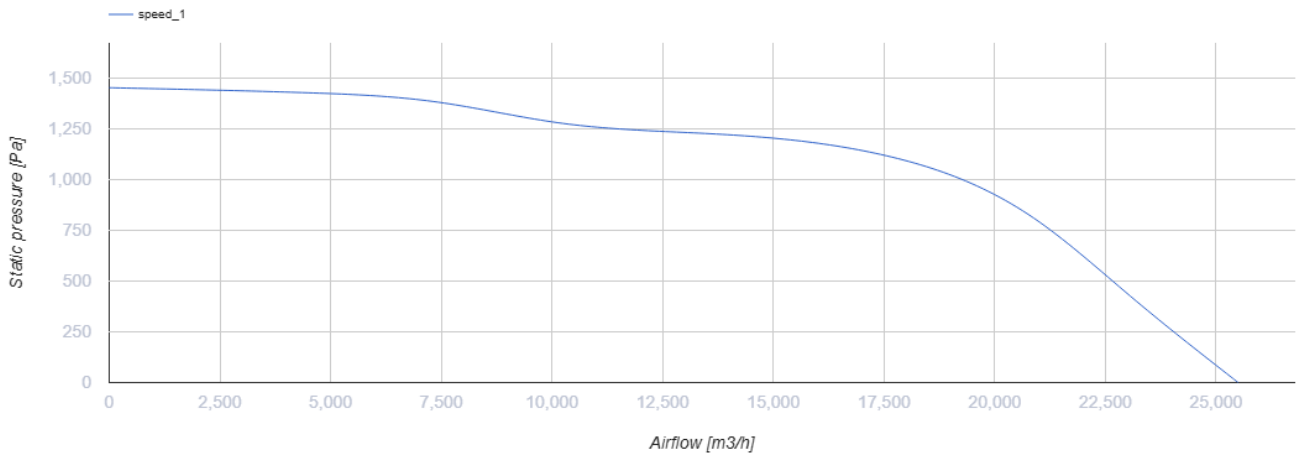


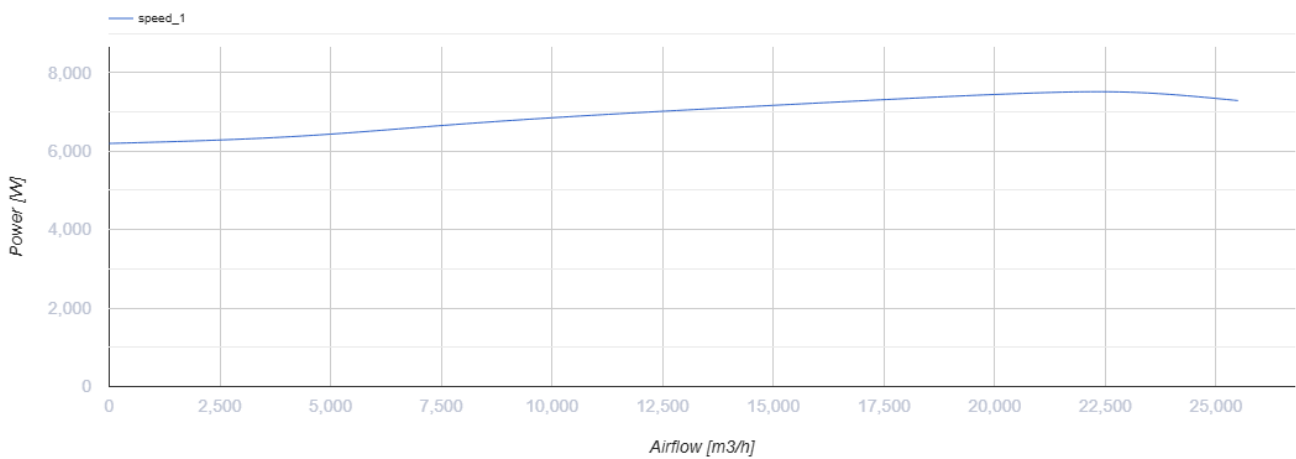
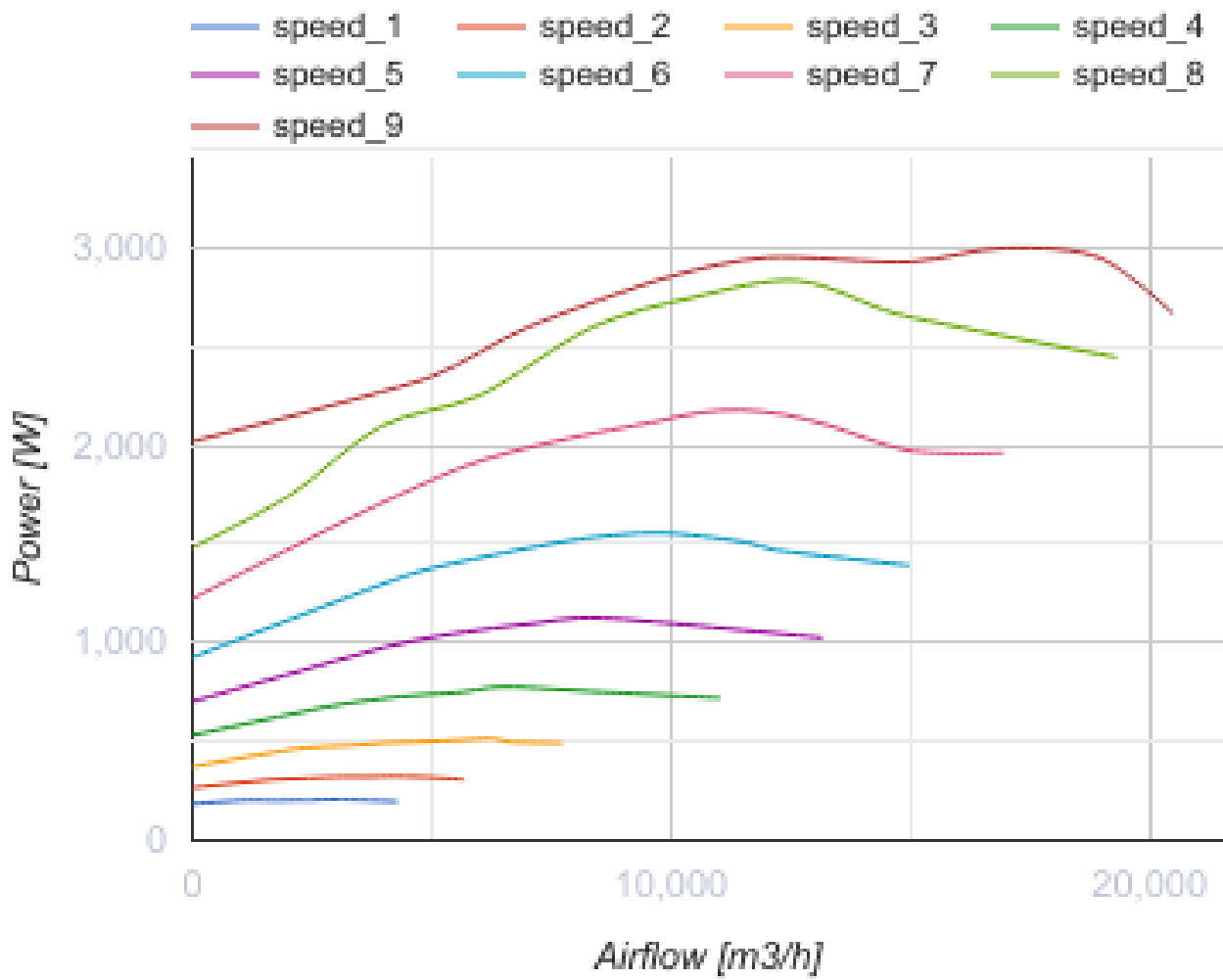
Iso-VK EC 710 D

Kitchen sound-insulated inline centrifugal fans with EC motors

- Maximum airflow: 20500
- Sound pressure level LpA at 3 m: 66
- Fire resistance class: 120°C within 60 min
- Sound insulation
- Motor type: EC
- Impeller type: Centrifugal impeller with backward curved blades
- Casing material: Aluzinc
- Installation in any position

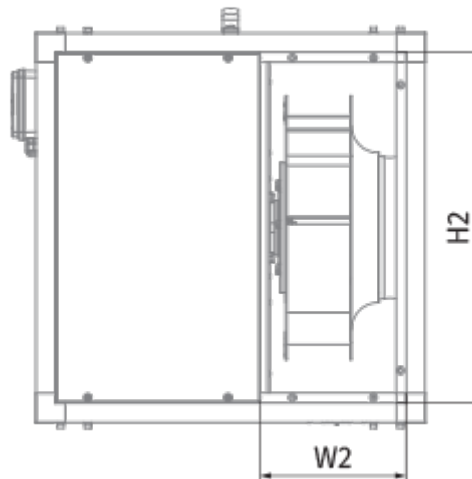
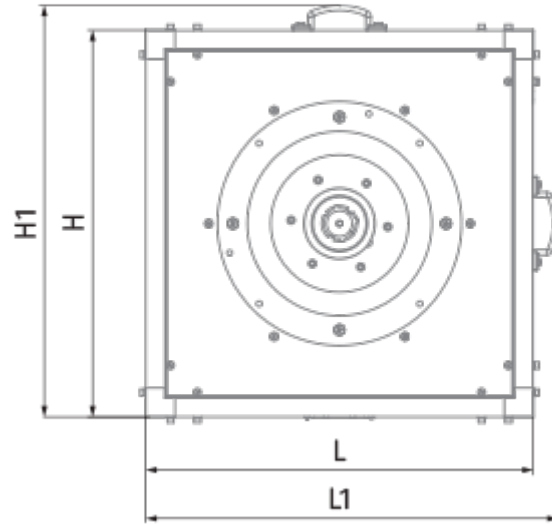
| | Unit of measurement | Iso-VK EC 710 D |
|-----------------------------------|---------------------|-----------------|
| Connected air duct size | mm | 710 |
| Speed | - | 1 |
| Phases | - | 3 |
| Minimum supply voltage | V | 400 |
| Maximum supply voltage | V | 400 |
| Power supply frequency | Hz | 50/60 |
| Rated power | W | 3000 |
| Unit current | A | 7.2 |
| Maximum airflow | m ³ /h | 20500 |
| Sound pressure level LpA at 3 m | dB(A) | 66 |
| Weight | kg | 199 |
| Transported air temperature (max) | °C | 120 |
| Transported air temperature (min) | °C | -25 |
| Ingress protection rating | - | IPX4 |

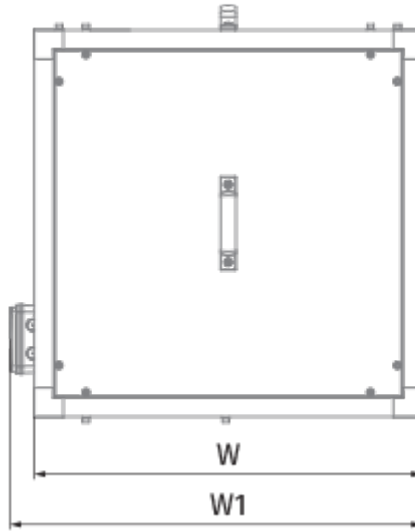




Dimensions


| H | H1 | H2 | L | L1 | W | W1 | W2 |
|------|------|------|------|------|------|------|-----|
| 1075 | 1114 | 1015 | 1075 | 1152 | 1075 | 1112 | 455 |





Accessories

Other accessories

| Name | Photo | Description |
|----------------------------|---|-----------------------------|
| CDT E/0-10 |  | Speed control for EC motors |