



Ceileo DC 110 Light T

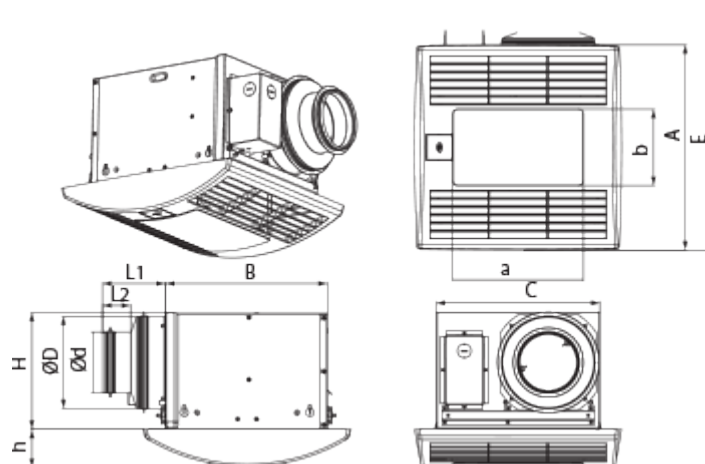
Centrifugal extract low-noise and low-watt fans for ceiling mounting

- Maximum airflow: 187
- Sound pressure level LpA at 3 m: 25
- Lighting
- Motor type: DC
- Impeller type: Centrifugal forward curved blades
- Casing material: Galvanized steel
- Backdraft protection: Backdraft damper
- Timer: Turn off timer

	Unit of measurement	Ceileo DC 110 Light T
Connected air duct size	mm	150/100
Speed	-	1
Minimum supply voltage	V	120
Maximum supply voltage	V	240
Power supply frequency	Hz	50/60
Rated power	W	19
Unit current	A	0.18
Maximum airflow	m ³ /h	187
Sound pressure level LpA at 3 m	dB(A)	25
Weight	kg	6.4
Ambient air temperature min	°C	1
Ambient air temperature max	°C	40
Ingress protection rating	-	IPX2


Dimensions

Ø D	Ø d	L1	L2	A	B	C	E	H	h	a	b
148	98	100	45	330	258	260	395	188	62	208	123





Accessories

Other accessories

Name	Photo	Description
CDP-2/10		Multi-speed switch

Hoods

Name	Photo	Description
Decor S 102 HK		Metal hoods
Decor S 152 HK		Metal hoods

Air distribution

Name	Photo	Description
BlauFlex_PVC		Flexible air ducts BlauFlex