



Ceileo 300 Light T

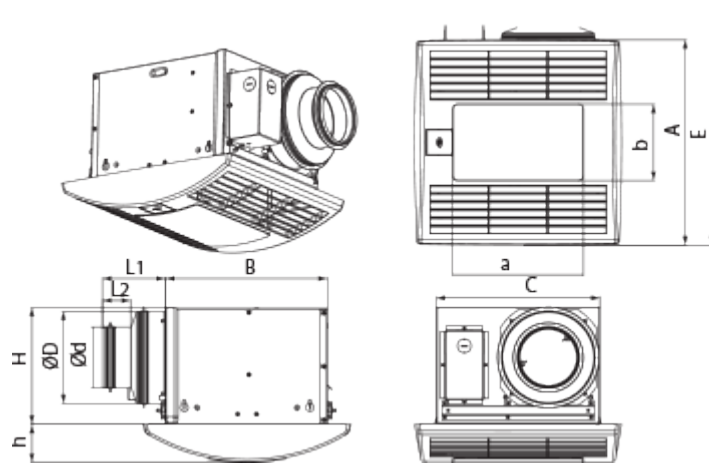
Centrifugal extract low-noise and low-watt fans for ceiling mounting

- Maximum airflow: 320
- Sound pressure level LpA at 3 m: 32
- Lighting
- Impeller type: Centrifugal forward curved blades
- Casing material: Galvanized steel
- Backdraft protection: Backdraft damper
- Timer: Turn off timer

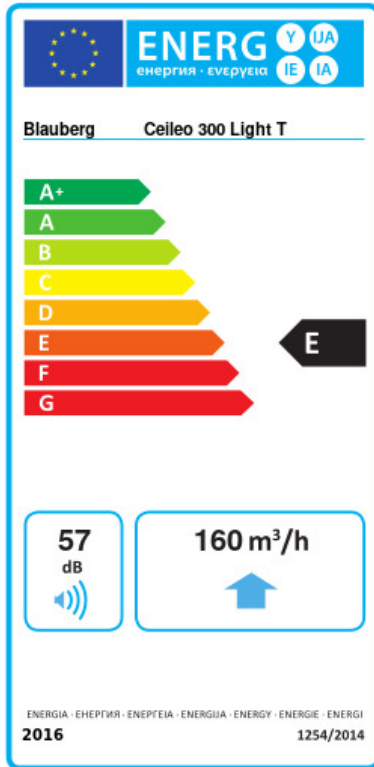
	Unit of measurement	Ceileo 300 Light T			
Connected air duct size	mm	150			
Speed	-	2			
Phases	-	1			
Minimum supply voltage	V	230			
Maximum supply voltage	V	230			
Power supply frequency	Hz	50		60	
Rated power	W	31	49	63	35
Unit current	A	0.15	0.22	0.28	0.17
Maximum airflow	m ³ /h	220	300	320	200
Sound pressure level LpA at 3 m	dB(A)	28	31	32	27
Weight	kg	6.2			
Ambient air temperature min	°C	1			
Ambient air temperature max	°C	40			
Ingress protection rating	-	IPX2			

Dimensions

Ø D	L1	A	B	C	E	H	h	a	b
149	50	330	258	260	395	188	62	208	123



Ecodesign



Trademark	Blaubeerg		
Model	Ceileo 300 Light T		
Specific energy consumption (SEC) (kWh/(m ² /a))	Cold	Average	Warm
	-32.1	B	-14.2 E -3.9 F
Type of ventilation unit	Unidirectional		
Type of drive installed	2-speed		
Type of heat recovery system	None		
Maximum flow rate (m ³ /h)	160		
Electric power input (W)	44		
Reference flow rate (m ³ /s)	0.044		
Reference pressure difference (Pa)	50		
Specific power input (SPI) (W/(m ³ /h))	0.156		
Control typology	Clock control		
Maximum external leakage rates (%)	2.7		
Sound power level (dB(A))	57		
Declared typology	RVU UVU		
The annual electricity consumption (AEC) (kWh/a)	Cold	Average	Warm
	183	183	183
The annual heating saved (AHS) (kWh/a)	Cold	Average	Warm
	3667	1874	848

Accessories

Other accessories

Name	Photo	Description
CDP-2/10		Multi-speed switch

Hoods

Name	Photo	Description
------	-------	-------------

Decor S 152 HK		Metal hoods
--------------------------------	---	-------------

Air distribution

Name	Photo	Description
BlauFlex PVC		Flexible air ducts BlauFlex