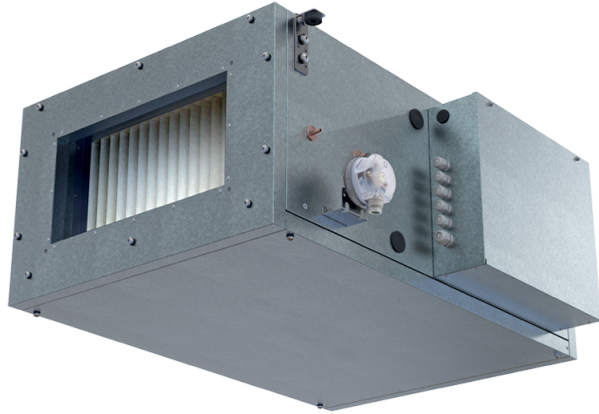


# Blaubox EC MW 1000 S31

Supply ventilation units with a water heater

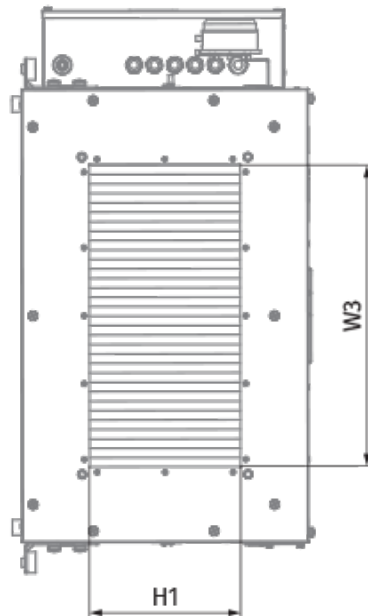
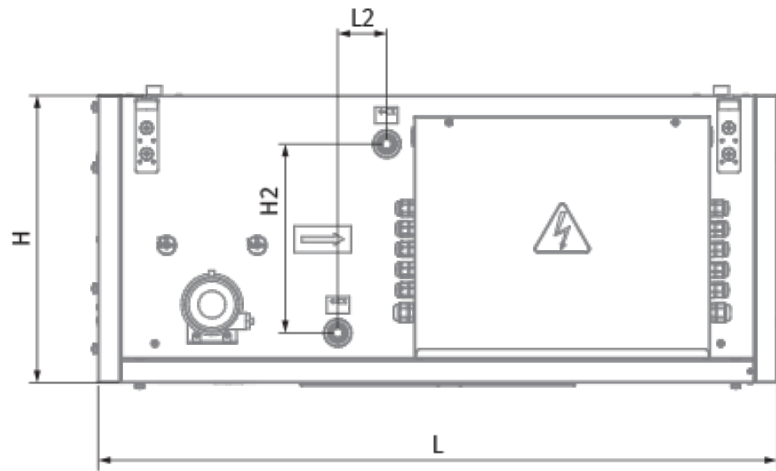
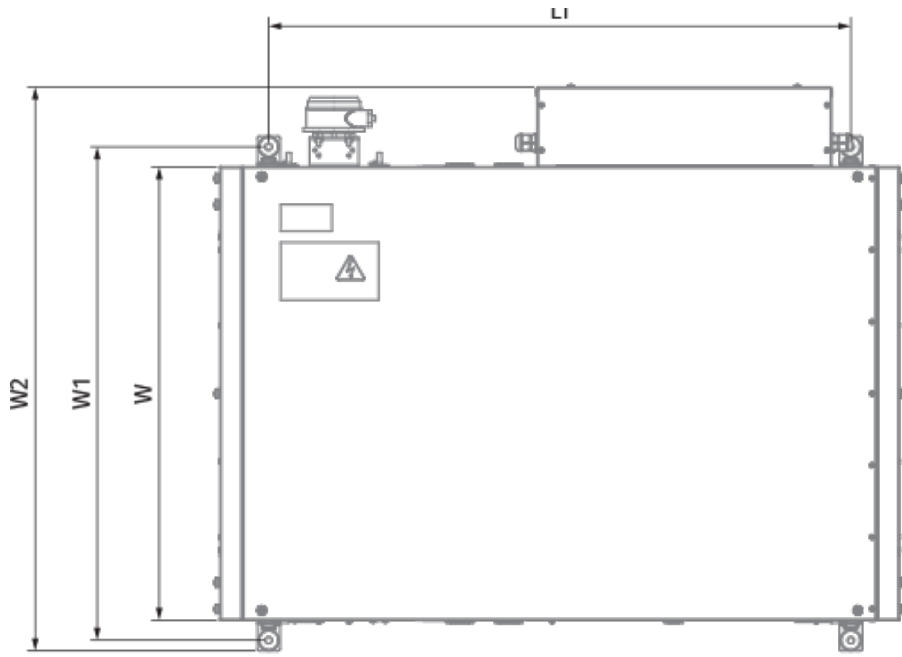


- Maximum airflow: 920
- Sound pressure level LpA at 3 m: 48
- Sound insulation
- Motor type: EC
- Reheater: Water
- BMS protocol: ModBus
- Control: Wired control panel
- Casing material: Aluzinc steel

	Unit of measurement	Blaubox EC MW 1000 S31
Connected air duct size	mm	400x200
Phases	-	1
Minimum supply voltage	V	230
Maximum supply voltage	V	230
Power supply frequency	Hz	50
Rated power	W	165
Unit current	A	1.23
Maximum airflow	m <sup>3</sup> /h	920
Sound pressure level LpA at 3 m	dB(A)	48
Weight	kg	35
Transported air temperature (max)	°C	40
Transported air temperature (min)	°C	-30
Ambient air temperature min	°C	1
Ambient air temperature max	°C	40
Ambient air humidity max	%	80
Ingress protection rating	-	IP22
Ingress protection rating of the drive	-	IP44


## Dimensions

H	H1	H2	L	L1	L2	W	W1	W2	W3
380	200	250	900	770	65	600	653	746	400





## Accessories

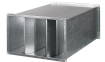
### Other accessories

Name	Photo	Description
FP 536x316x48 ePM1 70% / F7		F7 panel filter



### Other accessories

Name	Photo	Description
<a href="#">EVA 40x20</a>		Flexible anti-vibration connectors for rectangular ducts
<a href="#">SL 40x20</a>		Air dampers for rectangular ducts

### Other accessories

Name	Photo	Description
<a href="#">SD 40x20</a>		Silencers for rectangular ducts

### Other accessories

Name	Photo	Description
<a href="#">Belimo TF24</a>		Electric actuators
<a href="#">Belimo TF230</a>		Electric actuators