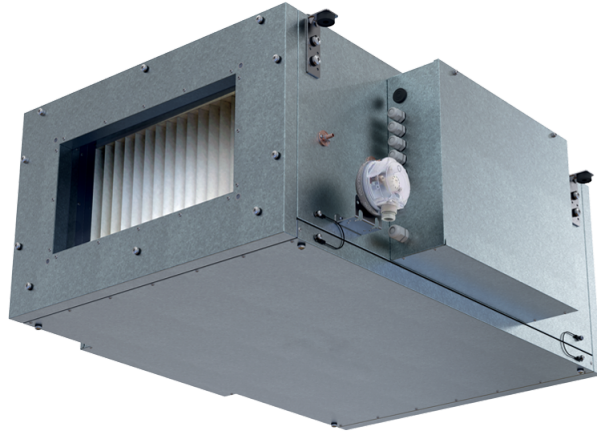


Blaubox EC ME 4000-45 S31

Supply ventilation units with an electric heater

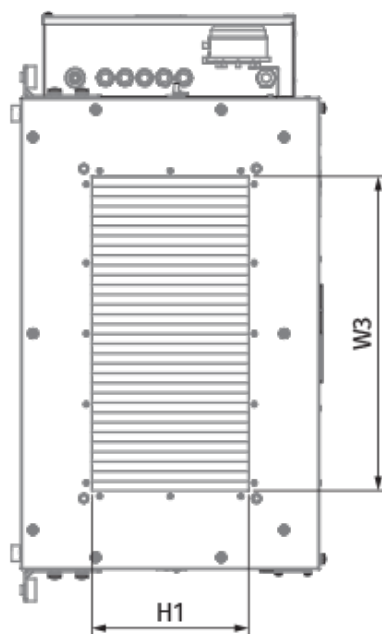
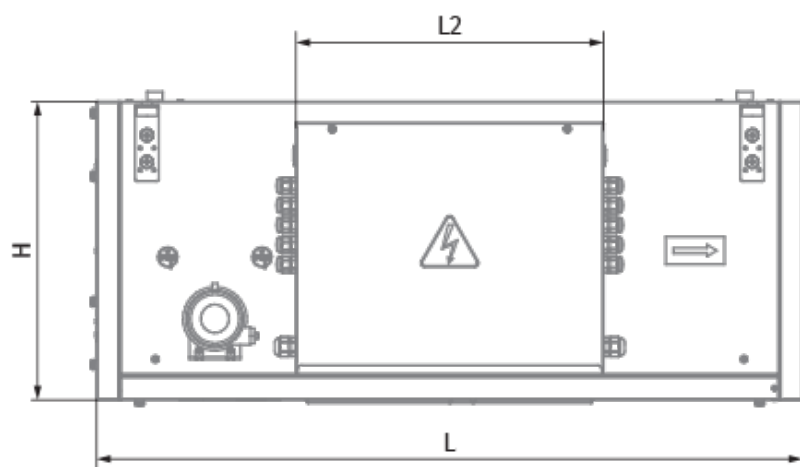
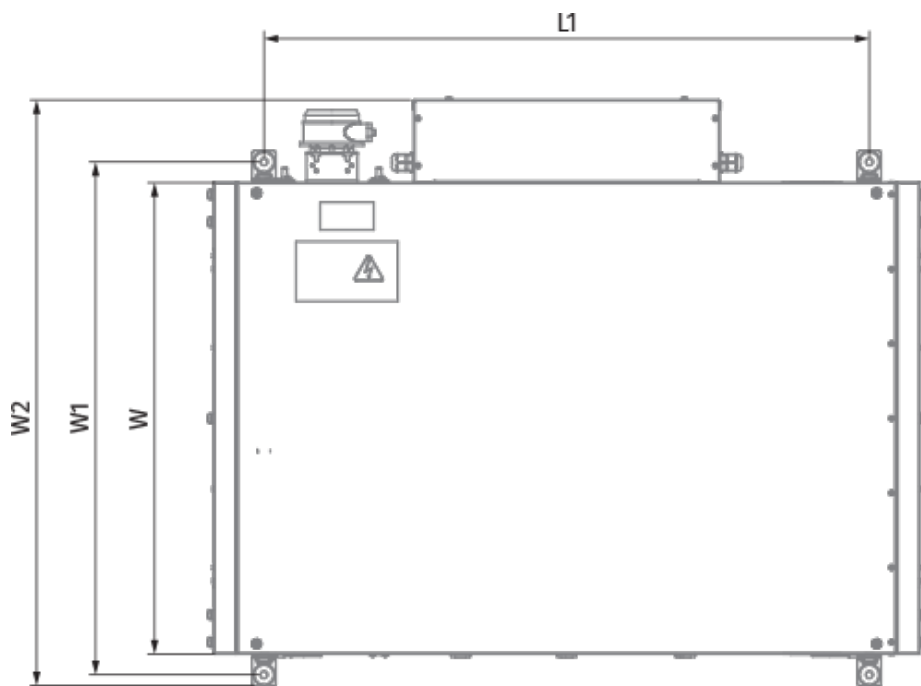


- Power of electrical reheater: 45000
- Maximum airflow: 5000
- Sound pressure level LpA at 3 m: 49
- Sound insulation
- Motor type: EC
- Reheater: Electric
- BMS protocol: ModBus
- Control: Wired control panel
- Casing material: Aluzinc steel

| | Unit of measurement | Blaubox EC ME 4000-45 S31 |
|--|---------------------|---------------------------|
| Connected air duct size | mm | 700x400 |
| Phases | - | 3 |
| Minimum supply voltage | V | 400 |
| Maximum supply voltage | V | 400 |
| Power supply frequency | Hz | 50 |
| Rated power | W | 717 |
| Power of electrical reheater | W | 45000 |
| Unit current | A | 73.2 |
| Maximum airflow | m ³ /h | 5000 |
| Sound pressure level LpA at 3 m | dB(A) | 49 |
| Weight | kg | 60 |
| Transported air temperature (max) | °C | 40 |
| Transported air temperature (min) | °C | -30 |
| Ambient air temperature min | °C | 1 |
| Ambient air temperature max | °C | 40 |
| Ambient air humidity max | % | 80 |
| Ingress protection rating | - | IP22 |
| Ingress protection rating of the drive | - | IP44 |



Dimensions

| H | H1 | L | L1 | W | W1 | W2 | W3 |
|-----|-----|------|------|-----|-----|------|-----|
| 550 | 400 | 1200 | 1070 | 940 | 993 | 1087 | 700 |





Accessories

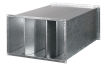
Other accessories

| Name | Photo | Description |
|-------------------------------|---|-----------------|
| FP 874x485x80 Coarse 90% / G4 |  | G4 panel filter |
| FP 874x485x80 ePM1 70% / F7 |  | F7 panel filter |



Other accessories

| Name | Photo | Description |
|---------------------------|---|--|
| EVA 70x40 |  | Flexible anti-vibration connectors for rectangular ducts |
| SL 70x40 |  | Air dampers for rectangular ducts |

Other accessories

| Name | Photo | Description |
|--------------------------|---|---------------------------------|
| SD 70x40 |  | Silencers for rectangular ducts |

Other accessories

| Name | Photo | Description |
|------------------------------|---|--------------------|
| Belimo TF24 |  | Electric actuators |
| Belimo TF230 |  | Electric actuators |