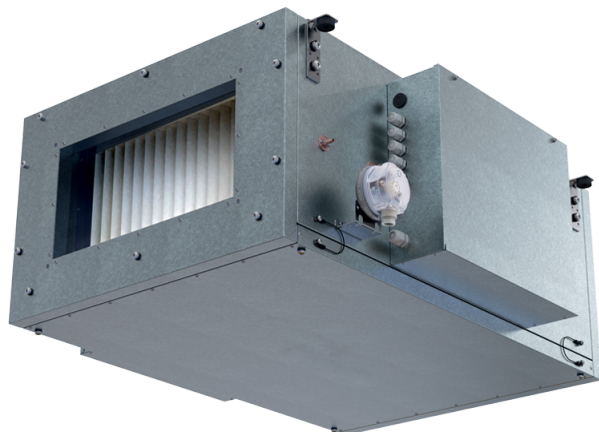


# Blaubox EC ME 1500-9 S31

Supply ventilation units with an electric heater

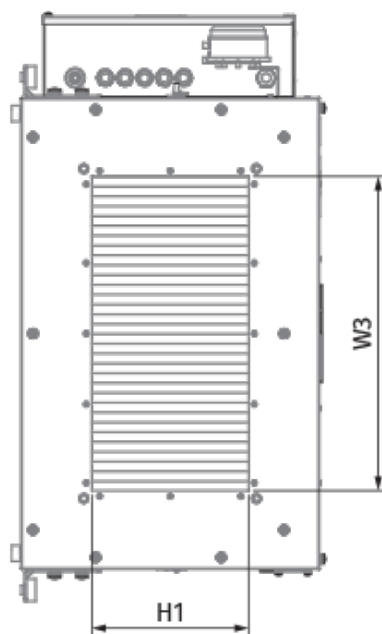
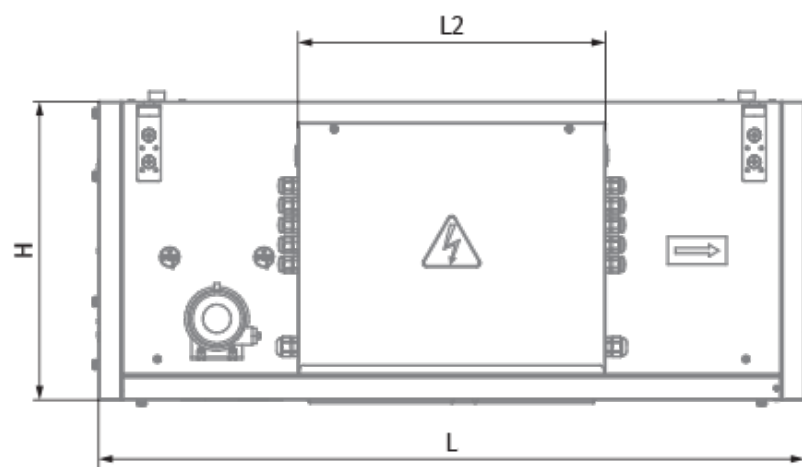
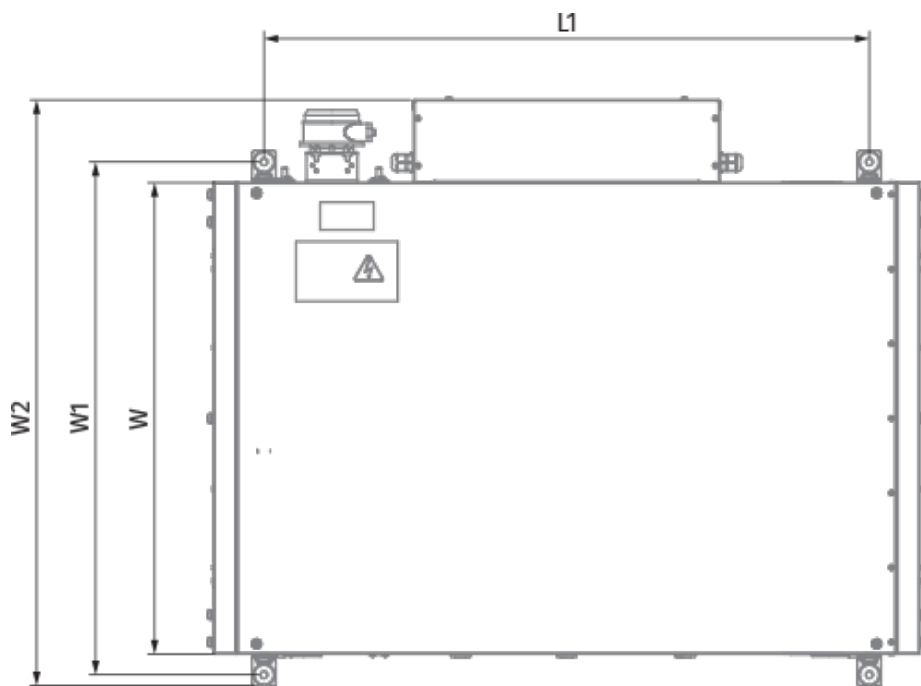


- Power of electrical reheater: 9000
- Maximum airflow: 1500
- Sound pressure level LpA at 3 m: 46
- Sound insulation
- Motor type: EC
- Reheater: Electric
- BMS protocol: ModBus
- Control: Wired control panel
- Casing material: Aluzinc steel

	Unit of measurement	Blaubox EC ME 1500-9 S31
Connected air duct size	mm	500x250
Phases	-	3
Minimum supply voltage	V	400
Maximum supply voltage	V	400
Power supply frequency	Hz	50
Rated power	W	223
Power of electrical reheater	W	9000
Unit current	A	14.8
Maximum airflow	m <sup>3</sup> /h	1500
Sound pressure level LpA at 3 m	dB(A)	46
Weight	kg	35
Transported air temperature (max)	°C	40
Transported air temperature (min)	°C	-30
Ambient air temperature min	°C	1
Ambient air temperature max	°C	40
Ambient air humidity max	%	80
Ingress protection rating	-	IP22
Ingress protection rating of the drive	-	IP44



## Dimensions

H	H1	L	L1	W	W1	W2	W3
440	250	900	770	700	754	847	500





## Accessories

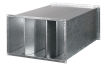
### Other accessories

Name	Photo	Description
FP 536x316x48 ePM1 70% / F7		F7 panel filter
FP 536x316x48 Coarse 90% / G4		G4 panel filter



### Other accessories

Name	Photo	Description
<a href="#">EVA 50x25</a>		Flexible anti-vibration connectors for rectangular ducts
<a href="#">SL 50x25</a>		Air dampers for rectangular ducts

### Other accessories

Name	Photo	Description
<a href="#">SD 50x25</a>		Silencers for rectangular ducts

### Other accessories

Name	Photo	Description
<a href="#">Belimo TF24</a>		Electric actuators
<a href="#">Belimo TF230</a>		Electric actuators