

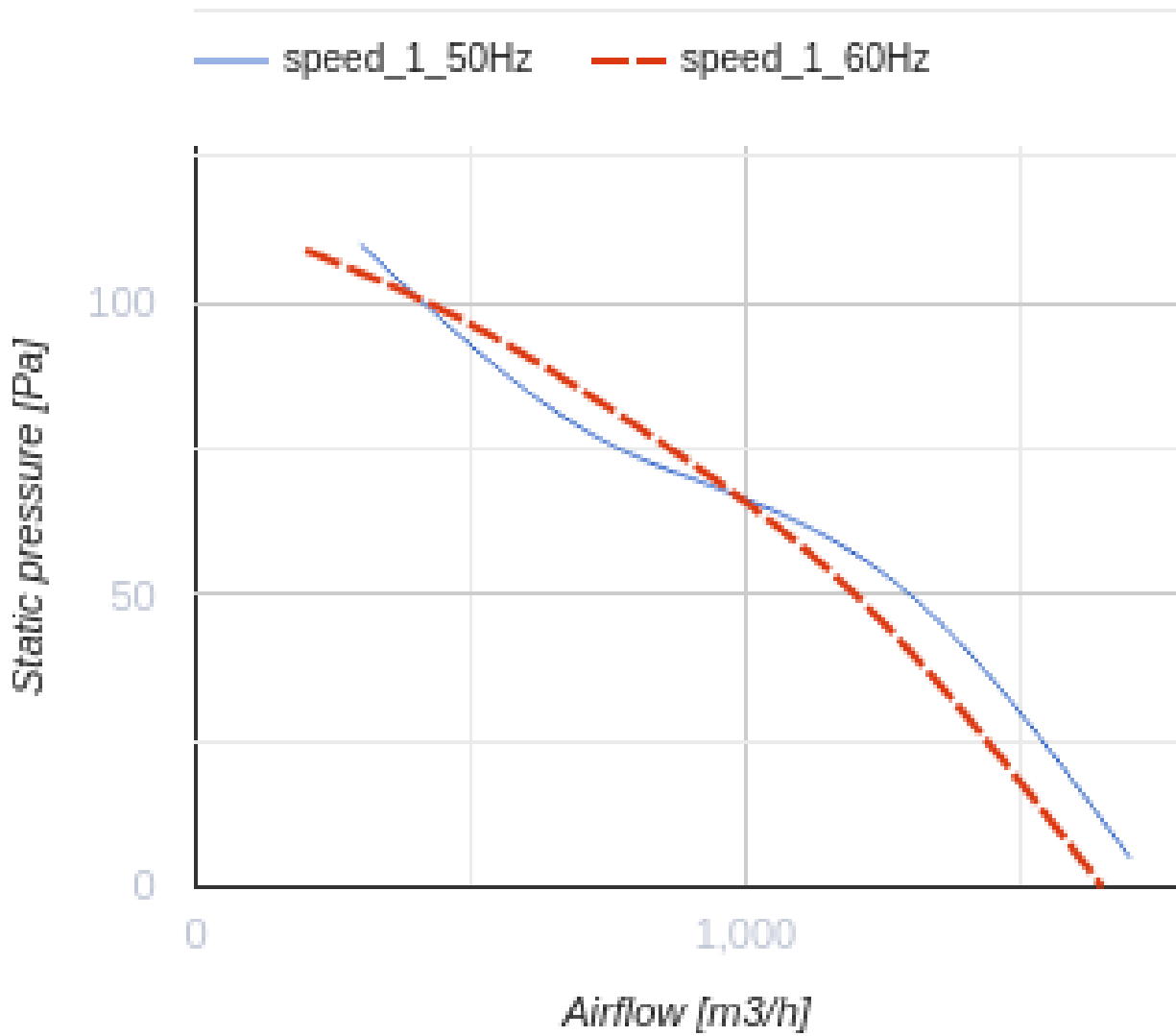


Axis-QRA 315

Axial wall fans

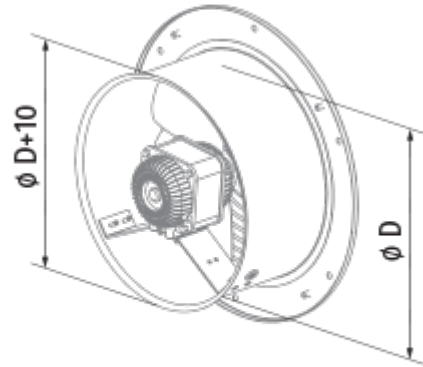
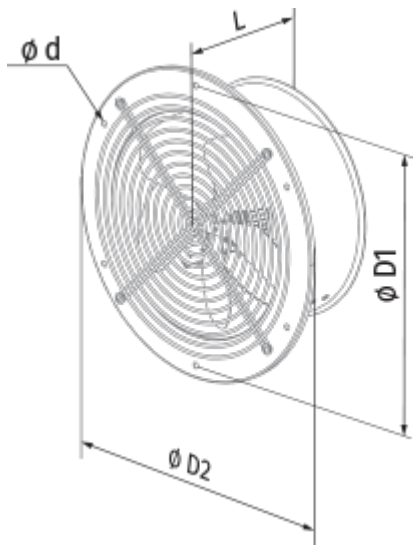
- Maximum airflow: 1700
- Sound pressure level LpA at 3 m: 42
- Motor type: AC
- Impeller type: Axial
- Casing material: Coated steel
- Installation in any position

	Unit of measurement	Axis-QRA 315	
Connected air duct size	mm	315	
Speed	-	1	
Phases	-	1	
Minimum supply voltage	V	220	
Maximum supply voltage	V	240	
Power supply frequency	Hz	50	60
Rated power	W	110	
Unit current	A	0.75	
Maximum airflow	m ³ /h	1700	
Sound pressure level LpA at 3 m	dB(A)	42	
Weight	kg	5.24	
Transported air temperature (max)	°C	40	
Transported air temperature (min)	°C	-30	
Ingress protection rating	-	IPX4	
Ingress protection rating of the drive	-	IP44	



Dimensions

ØD	ØD1	ØD2	Ød	L
312	390	420	9	170



Ecodesign

Trademark	Blauberg
Model	Axis-QRA 315
Type of drive installed	External MSD or VSD
Type of heat recovery system	None
Nominal flow rate (m ³ /s)	0.164
Nominal external pressure (Pa)	87
Maximum external leakage rates (%)	2.7
Static efficiency (%)	16.2
Effective electric power input (kW)	0.09
Sound power level (dB(A))	74
Declared typology	NRVU UVU

Accessories

Other accessories

Name	Photo	Description
CDT E1.8		Thyristor speed controller