

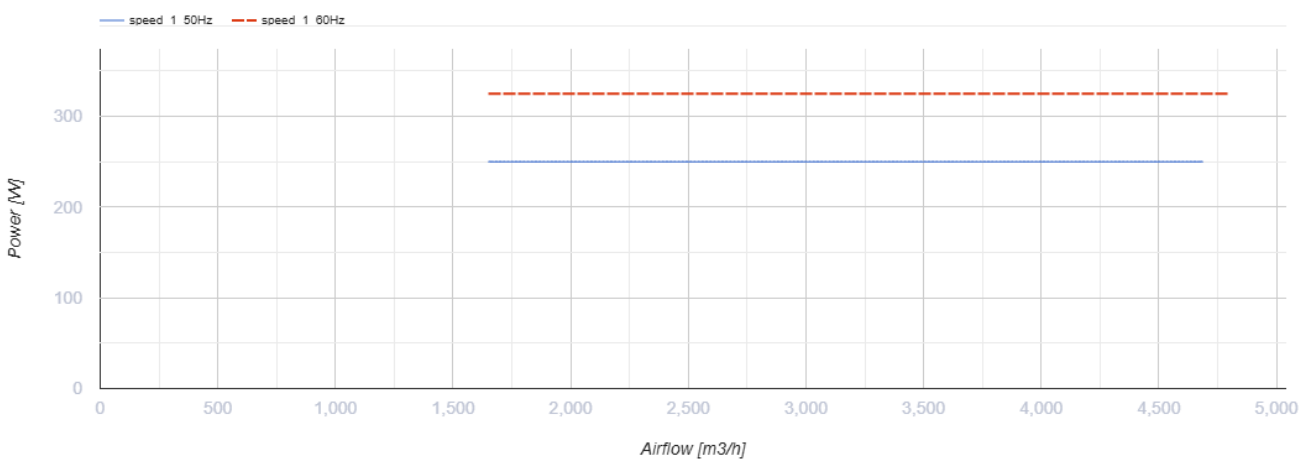
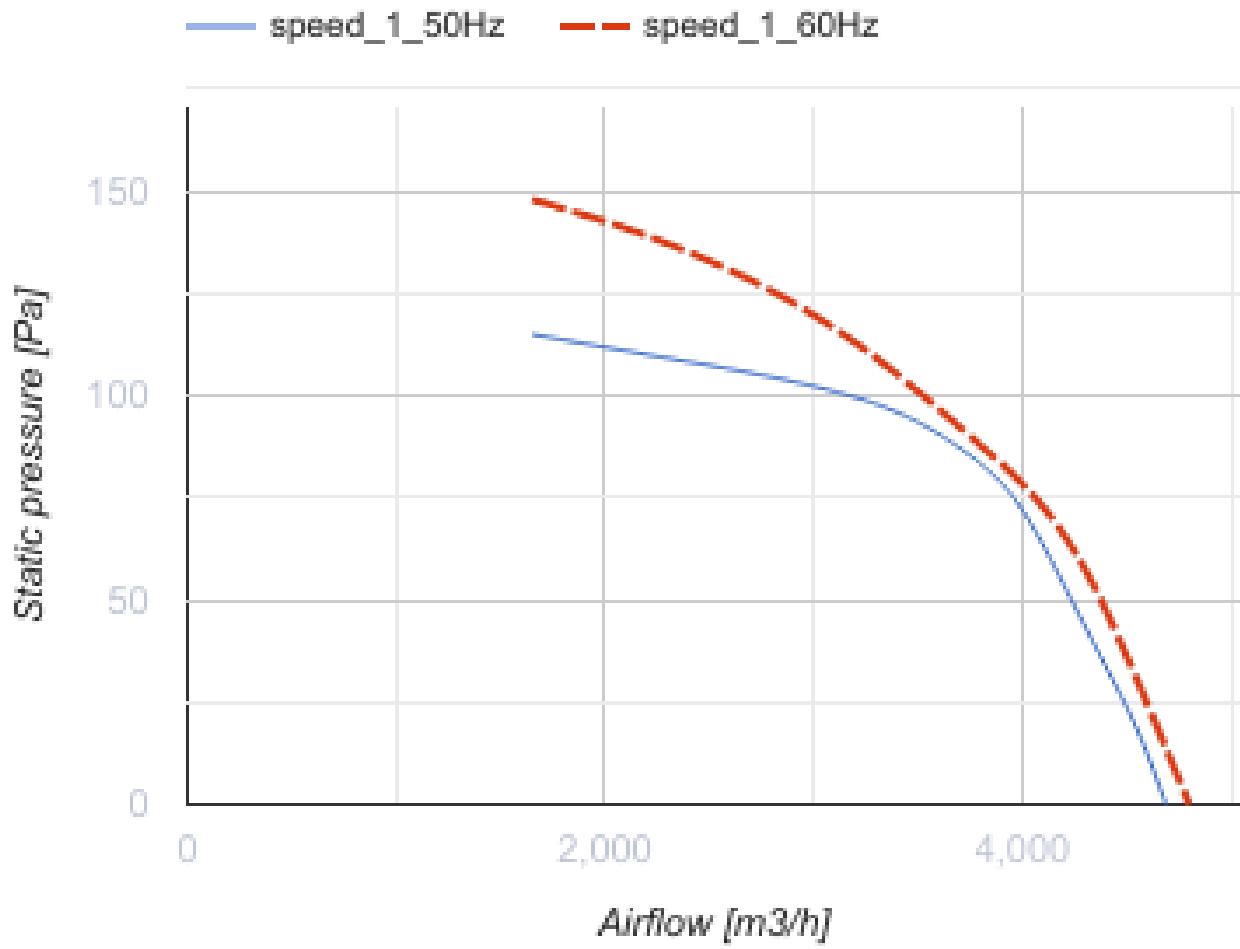


Axis-Q 450 4E

Axial wall fans

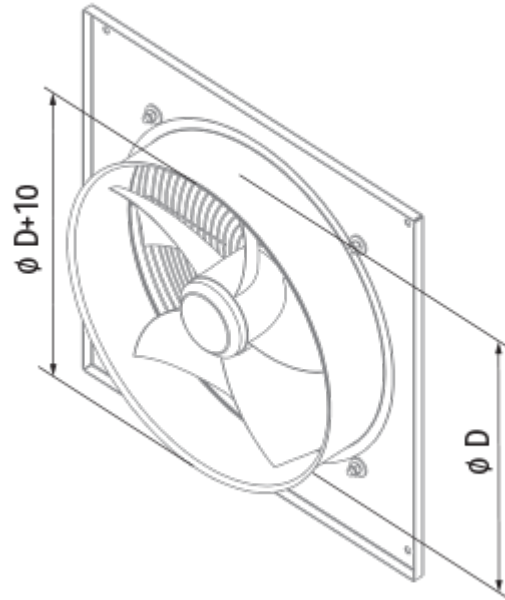
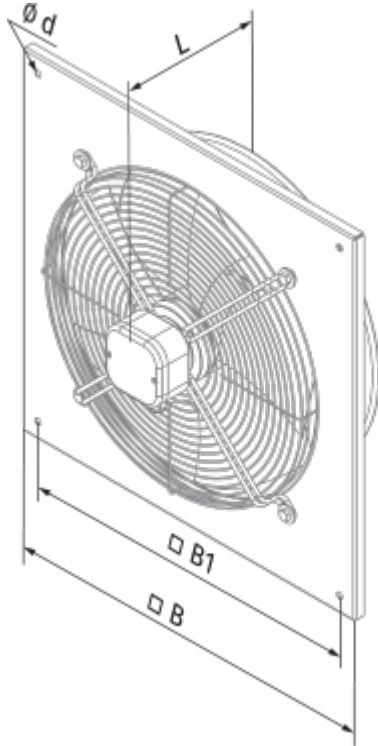
- Maximum airflow: 4680
- Sound pressure level LpA at 3 m: 56
- Motor type: AC
- Impeller type: Axial
- Casing material: Coated steel
- Installation in any position

	Unit of measurement	Axis-Q 450 4E
Connected air duct size	mm	450
Speed	-	1
Minimum supply voltage	V	220
Maximum supply voltage	V	240
Power supply frequency	Hz	50/60
Rated power	W	250
Unit current	A	1.2
Maximum airflow	m ³ /h	4680
Sound pressure level LpA at 3 m	dB(A)	56
Weight	kg	10.5
Transported air temperature (max)	°C	60
Transported air temperature (min)	°C	-30
Ingress protection rating	-	IP24



Dimensions

$\varnothing D$	$\varnothing d$	B	B1	L
465	11	576	535	230




Ecodesign

Trademark	Blauberg
Model	Axis-Q 450 4E
Type of drive installed	External MSD or VSD
Type of heat recovery system	None
Nominal flow rate (m ³ /s)	1.003
Nominal external pressure (Pa)	90
Maximum external leakage rates (%)	2.7
Static efficiency (%)	32
Effective electric power input (kW)	0.288
Sound power level (dB(A))	84
Declared typology	NRVU UVU

Accessories

Other accessories

Name	Photo	Description
CDT E1.8		Thyristor speed controller