

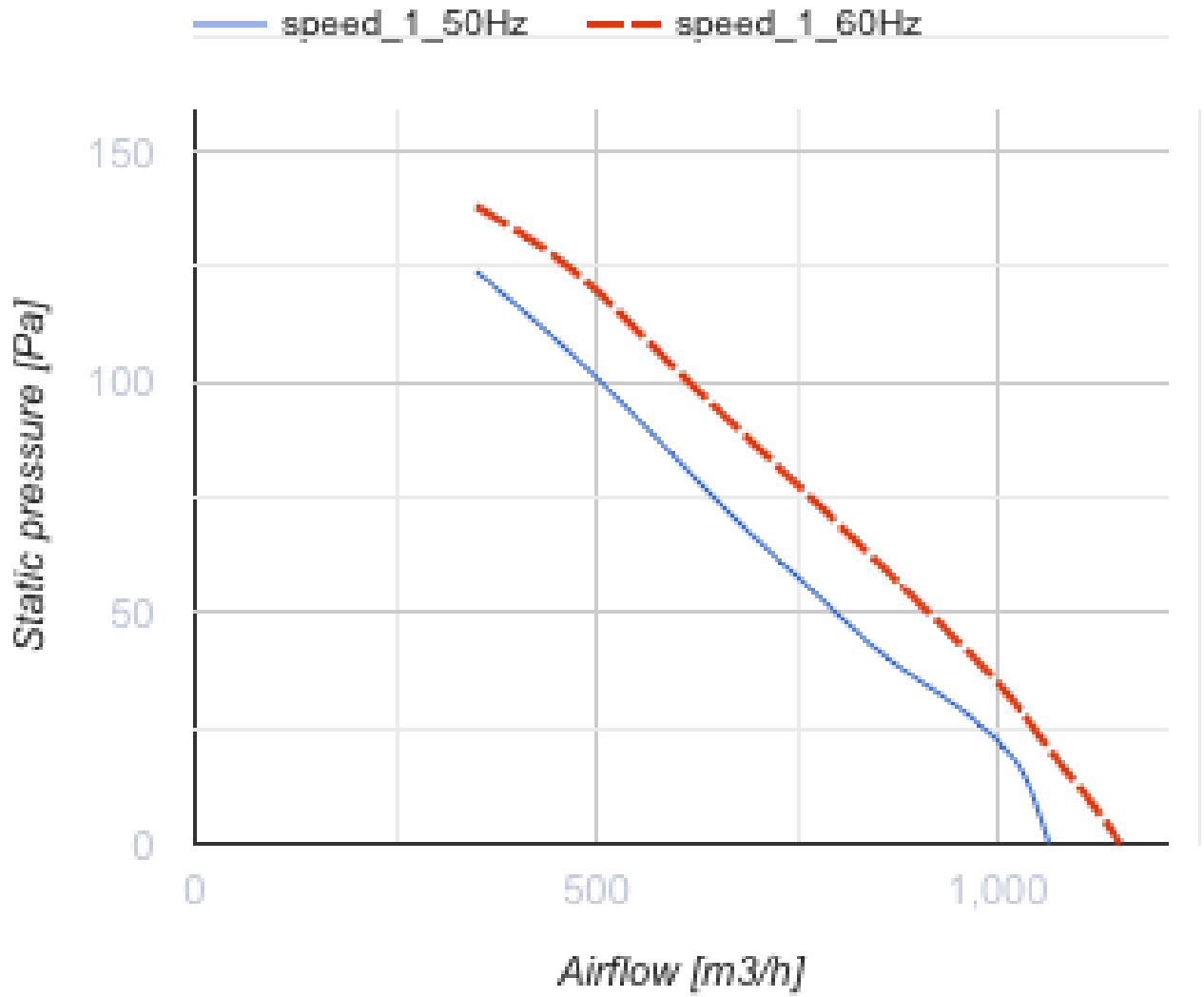


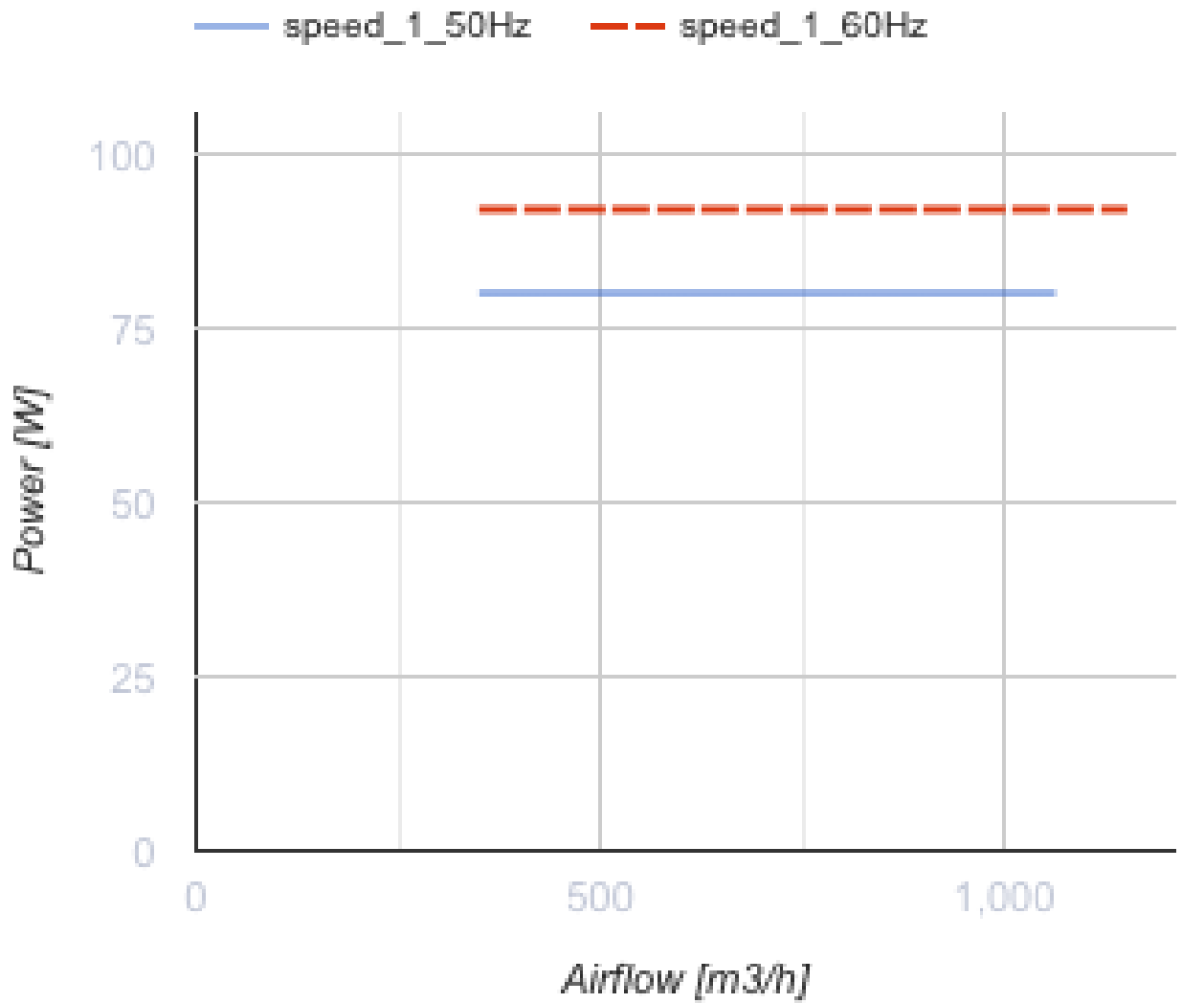
Axis-Q 250 2D

Axial wall fans

- Maximum airflow: 1060
- Sound pressure level LpA at 3 m: 51
- Motor type: AC
- Impeller type: Axial
- Casing material: Coated steel
- Installation in any position

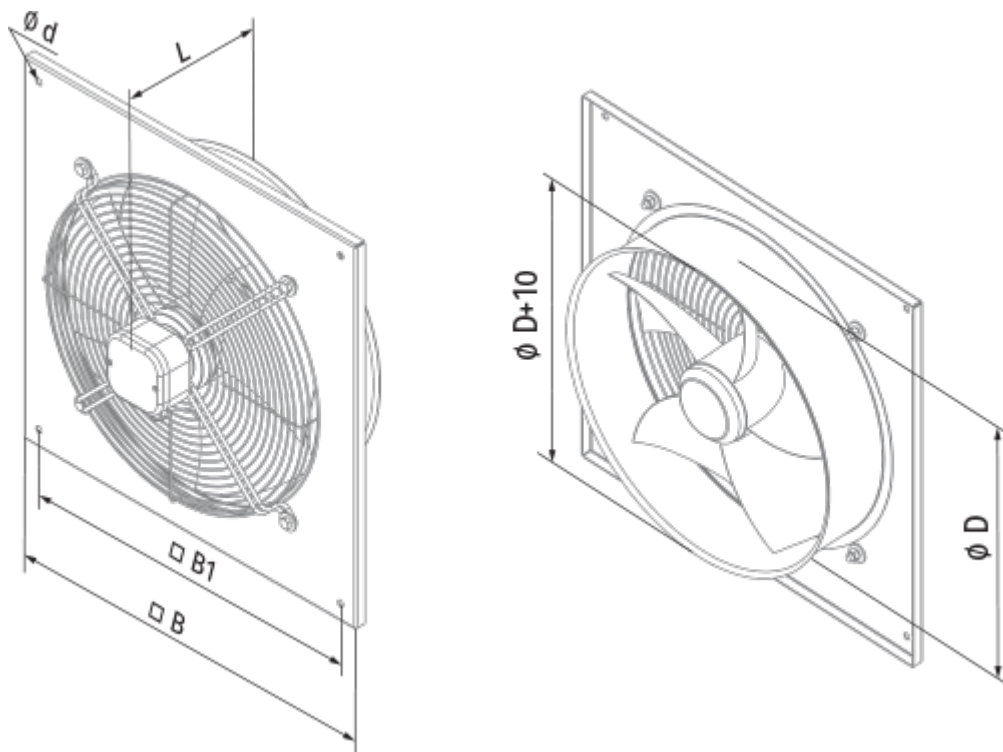
	Unit of measurement	Axis-Q 250 2D
Connected air duct size	mm	250
Speed	-	1
Minimum supply voltage	V	400
Maximum supply voltage	V	400
Power supply frequency	Hz	50/60
Rated power	W	80
Unit current	A	0.22
Maximum airflow	m ³ /h	1060
Sound pressure level LpA at 3 m	dB(A)	51
Weight	kg	4
Transported air temperature (max)	°C	60
Transported air temperature (min)	°C	-30
Ingress protection rating	-	IP24






Dimensions

ØD	Ød	B	B1	L
260	7	370	320	135



Accessories

Other accessories

Name	Photo	Description
CDT E1.8		Thyristor speed controller