

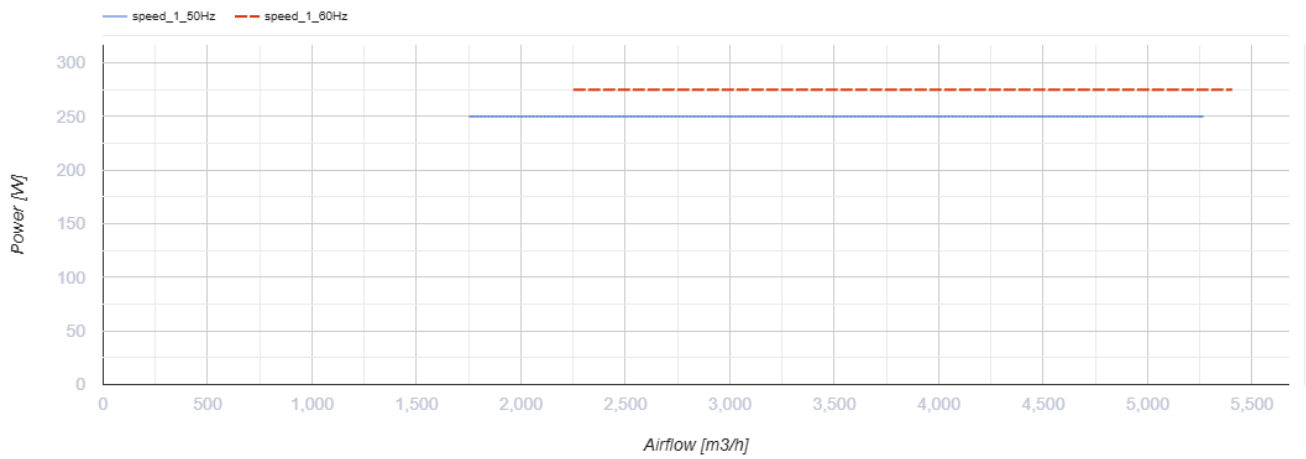
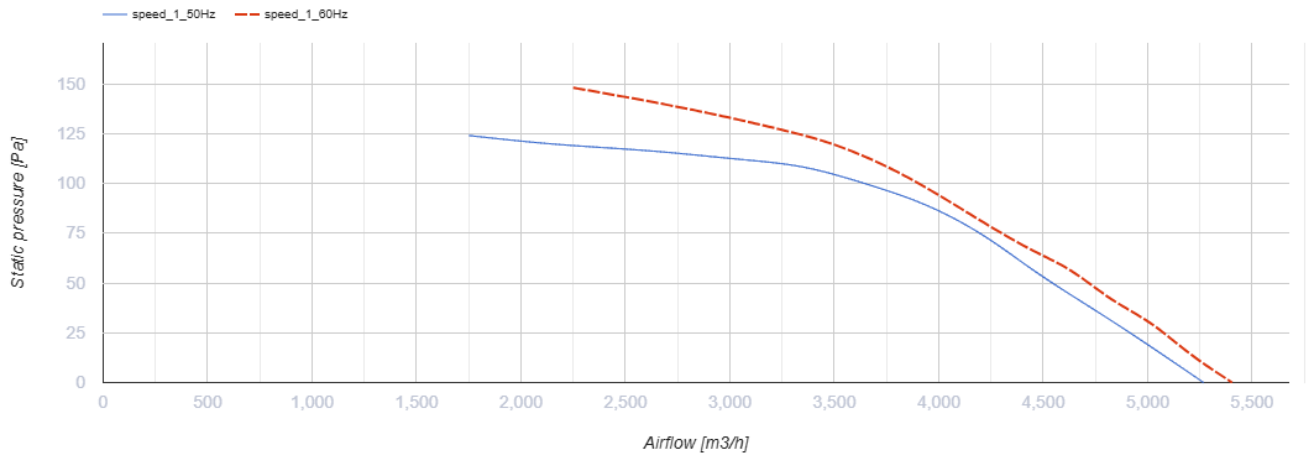


## Axis-F 450 4D

Axial inline fans

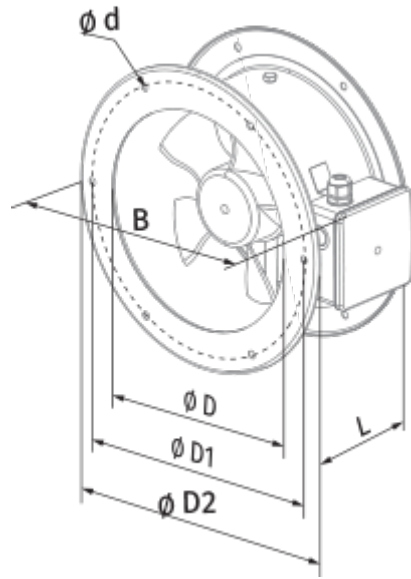
- Maximum airflow: 5280
- Sound pressure level LpA at 3 m: 56
- Motor type: AC
- Impeller type: Axial
- Casing material: Coated steel
- Installation in any position

	Unit of measurement	Axis-F 450 4D
Connected air duct size	mm	450
Speed	-	1
Minimum supply voltage	V	400
Maximum supply voltage	V	400
Power supply frequency	Hz	50/60
Rated power	W	250
Unit current	A	0.6
Maximum airflow	m <sup>3</sup> /h	5280
Sound pressure level LpA at 3 m	dB(A)	56
Weight	kg	9.1
Transported air temperature (max)	°C	60
Transported air temperature (min)	°C	-30
Ingress protection rating	-	IPX4



## Dimensions

ØD	ØD1	ØD2	Ød	B	L
462	487	515	9,5	550	200




## Ecodesign

Trademark	Blauberg
Model	Axis-F 450 4D
Type of drive installed	External MSD or VSD
Type of heat recovery system	None
Nominal flow rate (m <sup>3</sup> /s)	1.016
Nominal external pressure (Pa)	100
Maximum external leakage rates (%)	2.7
Static efficiency (%)	35
Effective electric power input (kW)	0.296
Sound power level (dB(A))	85
Declared typology	NRVU UVU

## Accessories

### Other accessories

Name	Photo	Description
<a href="#">CDT E1.8</a>		Thyristor speed controller