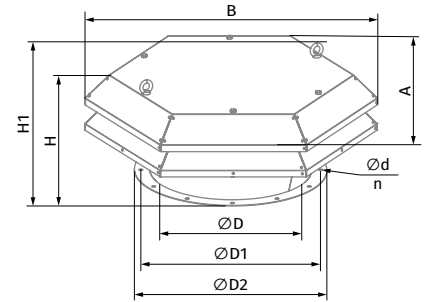


HOOD Z-AF

- o Ensures trouble-free operation of fans on rooftops.
- o Made of steel with a polymer coating.

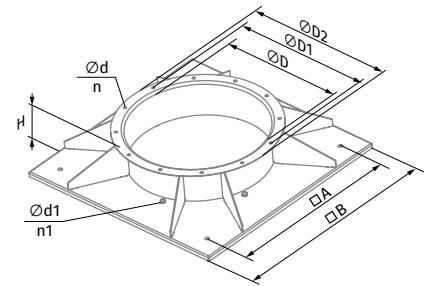
Model	Dimensions [mm]									Weight [kg]
	H	H1	A	B	Ø D	Ø D1	Ø D2	Ø d	n	
Z-AF-400	319	350	612	705	400	450	490	8	12	10
Z-AF-450	319	350	672	774	450	500	540	8	12	11
Z-AF-500	350	395	742	854	500	560	600	12	12	14
Z-AF-560	350	380	790	910	560	620	660	12	12	16
Z-AF-630	359	404	860	991	630	690	730	12	12	20
Z-AF-710	420	456	988	1139	710	770	810	12	16	31
Z-AF-800	475	511	1072	1236	800	860	900	12	16	42
Z-AF-900	527	572	1189	1370	900	970	1015	15	16	57
Z-AF-1000	640	685	1404	1618	1000	1070	1115	15	16	83
Z-AF-1120	655	700	1552	1789	1120	1190	1270	15	20	99
Z-AF-1250	685	730	1707	1968	1250	1320	1400	15	20	115



ROOF ADAPTER PK-AF*

- o Used for mounting **Axis-P** on rooftops.
- o Made of steel with a polymer coating.

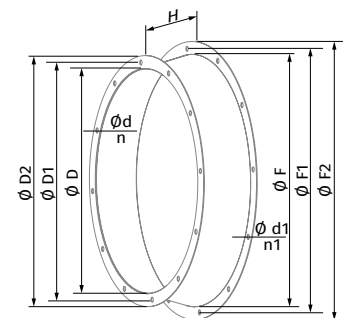
Model	Dimensions [mm]								A	B	H	Weight [kg]
	Ø D	Ø D1	Ø D2	Ø d	Ø d1	n	n1					
PK-AF-400	400	450	490	8	7	12	6	580	701	170	17.5	
PK-AF-450	450	500	540	8	7	12	6	580	701	170	16.5	
PK-AF-500	500	560	600	12	11	12	6	640	770	170	20.3	
PK-AF-560	560	620	660	12	11	12	6	750	920	170	27.2	
PK-AF-630	630	690	730	12	11	12	6	750	920	170	25.5	
PK-AF-710	710	770	810	12	11	16	8	980	1150	290	53.0	
PK-AF-800	800	860	900	12	11	16	8	980	1150	290	51.1	
PK-AF-900	900	970	1015	15	13	16	8	1050	1220	290	54.5	
PK-AF-1000	1000	1070	1115	15	13	16	8	1340	1510	340	93.4	
PK-AF-1120	1120	1190	1270	15	13	20	10	1340	1510	340	91.3	
PK-AF-1250	1250	1320	1400	15	13	20	10	1500	1700	340	107.0	



INLET CONE VK-AF

- o The inlet cone is recommended to be installed upstream of the fan to improve the air flow parameters. However, it must be installed in the absence of ducting attached to the fan inlet. The inlet cone helps reduce the fan dynamic pressure and increase the static component of the total fan pressure. The unit can be used in combination with the **SZ-AF** protective mesh which must be one size larger than the unit.
- o The unit has two flanges and is made of steel with a polymer coating.

Model	Dimensions [mm]										Weight [kg]	
	Ø D	Ø D1	Ø D2	Ø d	n	Ø F	Ø F1	Ø F2	H	Ø d1		n
VK-AF-400	400	450	490	8	12	450	500	540	95	8	12	2.7
VK-AF-450	450	500	540	8	12	500	560	600	110	12	12	3.3
VK-AF-500	500	560	600	12	12	560	620	660	120	12	12	4.0
VK-AF-560	560	620	660	12	12	630	690	730	135	12	12	4.65
VK-AF-630	630	690	730	12	12	710	770	810	150	12	16	6.8
VK-AF-710	710	770	810	12	16	800	860	900	170	12	16	12
VK-AF-800	800	860	900	12	16	900	970	1015	190	15	16	15
VK-AF-900	900	970	1015	15	16	1000	1070	1115	210	15	16	21
VK-AF-1000	1000	1070	1115	15	16	1120	1190	1270	240	15	20	36.7
VK-AF-1120	1120	1190	1270	15	20	1250	1320	1400	255	15	20	45
VK-AF-1250	1250	1320	1400	15	20	1400	1470	1550	285	15	20	53.5



*If PK-AF is used together with other accessories, for example F-AF, EVAF-AF, VRV-AF, attachment of the accessories is done through the holes marked with Ø d1. If no additional accessories are used, the holes marked with Ø d1 must be sealed in any way that prevents water penetration.