

PRODUCTS AND THEIR FILTERS

SPRING CLEANING

Learn about the suitable filters for your ventilation system and maintain it now!

Filters should be maintained regularly, in accordance with their location and the degree of air pollution. To ensure a smooth operation of your ventilation system we recommend filter maintenance or replacement 3 to 4 times per year.

Please refer to the respective manual of your ventilation system for exact information and guidelines. Feel free to contact us via e-mail (info@blaubergventilatoren.de)

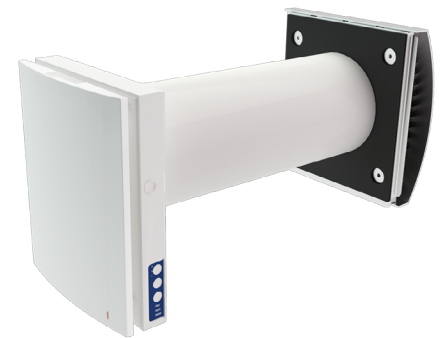
or phone (+49 89 785 08 088) for any questions and further information.

All manuals are also available as download on our website www.blaubergventilatoren.de.

Here you can see a selection of our top sellers and the suitable filters.

VENTO EXPERT A50-1 PRO/W/W V.2

Single-room heat recovery unit



Filter facts

- Vacuum cleaning and washing of the G3 filters is possible.
- Reinstall fully dried filters only.
- Filter maintenance 3 to 4 times per year.
- 1 set of filters needed for replacement.
- Upgrade with F8 pollen filter is possible.



Air flow:
up to 50 m³/h



Heat recovery efficiency:
up to 93 %



Power:
from 3,61 W



Noise level:
from 11 dB(A)



Filters	Description	Article number
FP VENTO Expert A50 G3	G3 filters (2 pcs)	8020827
FP Vento Expert A50 F8	F8 filters for first use (with holding device)	8001420
AFP VENTO Expert A50 F8	F8 - replaceable filter insert	8012815

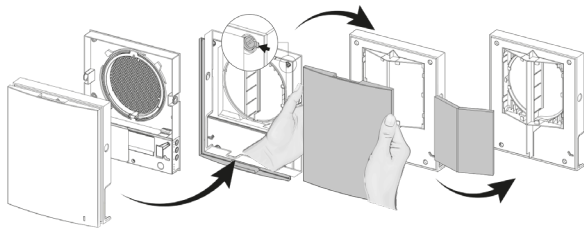
PRODUCTS AND THEIR FILTERS

VENTO EXPERT DUO A30-1 PRO/W/W V.2

Single-room heat recovery unit

Filter facts

- Vacuum cleaning and washing of the filters is possible.
- Filter maintenance 3 to 4 times per year.
- 1 set of filters needed for replacement.



Air flow:
up to 30 m³/h



Heat recovery efficiency:
up to 85 %



Power:
from 2,00 W



Noise level:
from 24 dB(A)



Filters

Article number

FP Vento Expert Duo A30 G3 (2 pcs)

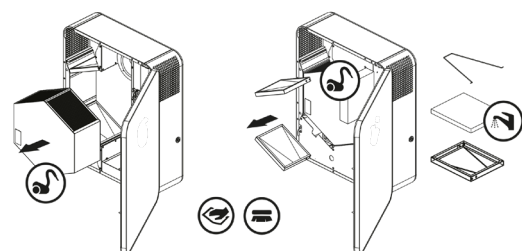
8035678

FRESHBOX 100 WiFi

Single-room heat recovery unit

Filter facts

- Filter maintenance 3 to 4 times per year.
- Supply air filtration with G4 and F8 panel filters, exhaust air filtration with G4 panel filters.



Air flow:
up to 100 m³/h



Heat recovery efficiency:
up to 96 %



Noise level:
from 13 dB(A)



Filters

Article number

FP 193x158x18 G4 PPI
G4 filters (2 pcs)

8029493

FP 193x158x47 F8
F8 filter (1 pc)

8029516

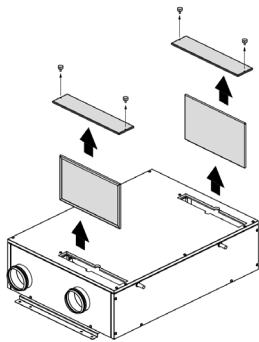
PRODUCTS AND THEIR FILTERS

KOMFORT EC D5B 180

Air handling unit with heat recovery

Filter facts

- Filter can be cleaned with vacuum cleaner.
- Replace filters every 6 to 12 months, depending on degree of pollution, but no later than after the 2nd cleaning.
- 2 sets of filters needed for replacement.



Air flow:
up to 220 m³/h



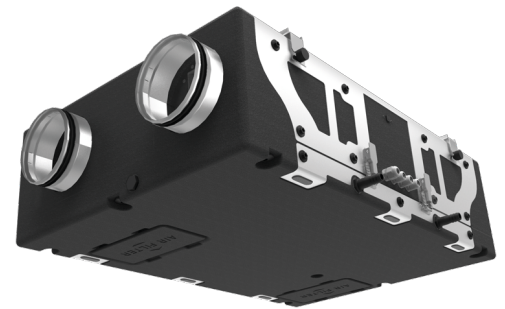
Heat recovery efficiency:
up to 98 %



Power:
from 178 W



Noise level:
from 33 dB(A)



- Filter replacement super simple.
- Open filter panels, pull out supply and exhaust air filters, install new filters and close panels.



Filters

Article number

FP 214x186x18 G4

8054396

FP 214x186x48 F7

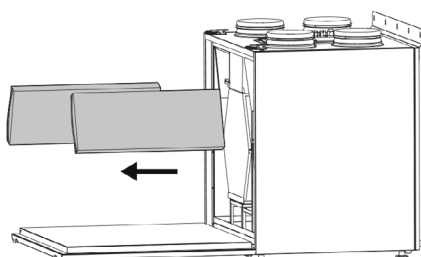
8054402

KOMFORT EC SB 350/550

Air handling unit with heat recovery

Filter facts

- Filter can be cleaned with vacuum cleaner.
- Replace filters every 6 to 12 months, depending on degree of pollution, but no later than after the 2nd cleaning.
- Needed for filter replacement: 1 x G4 for exhaust air, 1 x F7 for supply air



Air flow:
bis 690 m³/h



Heat recovery efficiency:
up to 93 %



Power:
from 178 W



Noise level:
from 26 dB(A)



- Filter replacement super simple.
- Open front panel, pull out supply and exhaust air filters, install new filters and close front panel.



Model

Filters

Article number

Komfort EC SB350

FP 196x500x40 G4

8044977

Komfort EC SB350

FP 196x500x40 F7

8045004

Komfort EC SB550

FP 198x630x40 G4

8044984

Komfort EC SB550

FP 198x630x40 F7

8045011

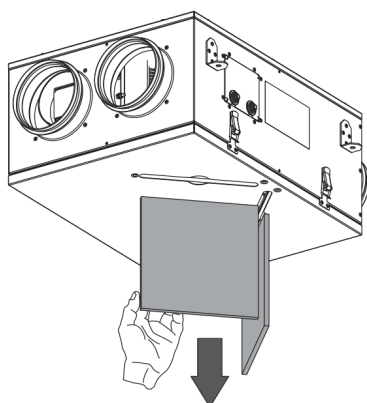
PRODUCTS AND THEIR FILTERS

KOMFORT ULTRA D105/D105-A

Affordable single-room heat recovery unit

Filter facts

- Clean with vacuum cleaner or water.
- Replace filters every 6 to 12 months, depending on degree of pollution, but no later than after the 2nd cleaning.
- Install only dry filters.
- 2 filter sets needed for replacement.



Air flow:
up to 106 m³/h



Heat recovery efficiency:
up to 76 %



Power:
from 30 W



Noise level:
from 24 dB(A)



Model	Filters	Article number
KOMFORT Ultra D105	FP 240x202x8 G4	8045165
KOMFORT Ultra D105-A	FP 198x205x8 G4	8045172