

# ULTRA

## CENTRIFUGAL FANS

Centrifugal exhaust low-noise and low-energy fans for ceiling mounting



**Air flow:**  
up to 482 m<sup>3</sup>/h  
134 l/s



**Power:**  
from 57 W

**SFP:**  
from 0.43 W/l/s



**Noise level:**  
up to 36 dBA



### Features



- Intermittent or continuous ventilation of bathrooms, showers, kitchens and other utility spaces.
- For high-resistant ventilation systems.
- Built-in tri-color low-energy LED light (**Ultra 250 Tri-Color** model).
- Low noise level.
- The centrifugal impeller has forward-curved blades for high pressure and low noise.
- Easiest installation and further maintenance possible.
- The fans also feature a gravity backdraft damper.
- Ingress protection rating IPX4.
- Compatible with Ø 150 mm air ducts.
- Removable decorative panels available in matte black and white colors, round and square shapes.



DP Ultra 250 Round



DP Ultra 250 Round Black



DP Ultra 250 Square



DP Ultra 250 Square Black

### Motor

- The maintenance-free motor bearings are sufficiently greased for all motor service life and engineered for over 40 000 operating hours of trouble-free operation.

### Design

- The motor impeller is made from high-quality and durable ABS-plastic.
- **Ultra 250 Tri-Color Light** fans are equipped with a tri-color energy-efficient light for comfortable lighting in warm, cold or neutral colors.



DP Ultra 250 Round Tri-Color Light



DP Ultra 250 Square Tri-Color Light

Decorative panel

LED light  
(Ultra Tri-Color Light)

Casing

Extract spigot with a back valve

Centrifugal impeller



# ULTRA

## CENTRIFUGAL FANS

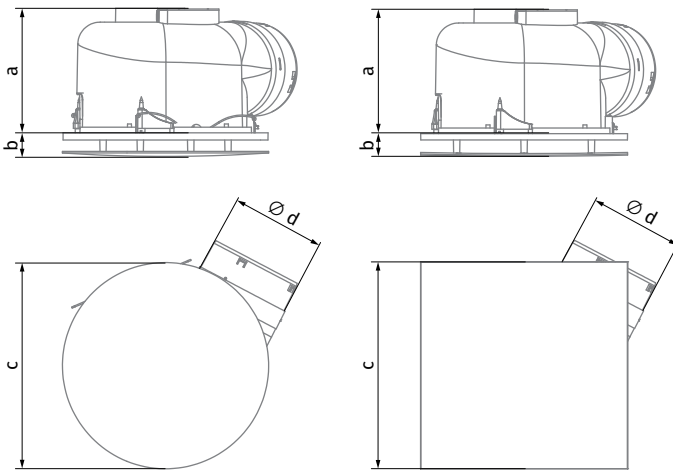
### Options



Model	Ultra 250	
Option	T	H
Turn-off delay timer	•	•
Humidity sensor		•

- **Turn-off delay timer**
  - Adjustable delay from 2 to 30 min.
- **Humidity sensor**
  - Humidity setpoint adjustable from 60 % up to 90 %.

### Overall dimensions



Ultra 250 Round

Ultra 250 Square

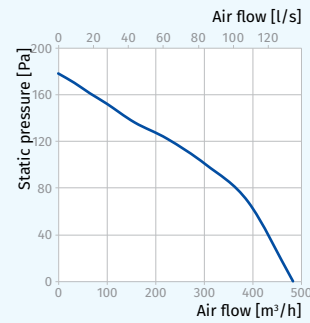
Dimensions [mm]	a	b	c	Ø d
Ultra 250 Round	198	38	330	148
Ultra 250 Square	198	38	330	148

Designation key			
Ultra	250	Tri-Color Light	T
Series	Rated air flow [m³/h]	LED light available	Option

### Technical data

Model	Ultra 250
Voltage [V/Hz]	220-240/50
Power [W]	57
Current [A]	0.25
RPM [min <sup>-1</sup> ]	1085
Air flow [m³/h (l/s)]	482 (134)
SFP [W/l/s]	0.43
Sound pressure level [dBA]*	36

\* Sound pressure level measured in free space at a distance of 3 meters from the fan.



### LED Light Characteristics

	Power [W]	Luminous flux [lm]	Color temperature [K]	Beam angle [°]
DP Ultra 250 Round Tri-Color Light	12	1200	3000/4000/6500	120
DP Ultra 250 Square Tri-Color Light	12	1200	3000/4000/6500	120

### Mounting



Accessories				
Duct system	Flexible air ducts	Grilles and hoods	Speed controllers	Clamps
BlauPlast	BlauFlex	Decor, GM	CDT E1.8	K, KZ