

TUBO

IN-LINE FANS

Features



- o Duct mounting
- o Easy maintenance
- o Low noise impeller
- o Continuous operation
- o Ball bearing motor
- o 5 year warranty



Air flow:
up to 295 m³/h
82 l/s



Power:
from 14 W
SFP:
from 0.3 W/l/s



Noise level:
from 38 dBA



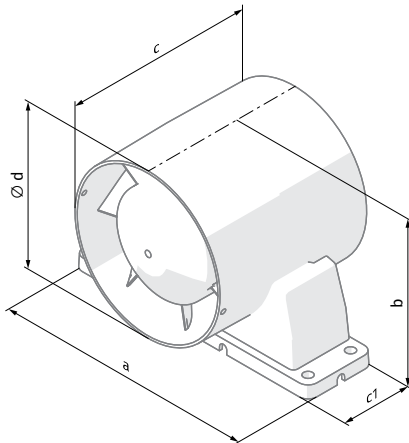
Options



Model	Tubo 100/125/150
Option	T
Timer	•

- o Turn-off delay adjustable from 2 to 30 min.

Dimensions



Dimensions [mm]	a	b	c	c1	Ø d
Tubo 100	-	-	100	-	100
Tubo-U 100	160	110	100	45	100
Tubo 125	-	-	90	-	125
Tubo-U 125	185	125	90	45	125
Tubo 150	-	-	100	-	150
Tubo-U 150	200	162	100	45	150

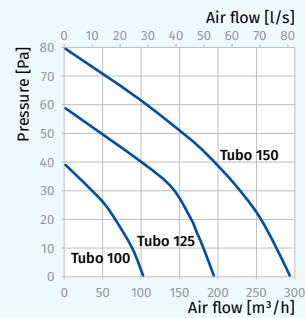
Designation key

Tubo	-U	125	T
Model	Mounting bracket	Spigot diameter	Option

Technical data

Model	Tubo 100	Tubo 125	Tubo 150
Voltage [V/Hz]	220-240/50	220-240/50	220-240/50
Power [W]	14	16	30
Current [A]	0.085	0.1	0.13
RPM [min ⁻¹]	2300	2400	2400
Air flow [m ³ /h (l/s)]	102 (28)	195 (54)	295 (82)
SFP [W/l/s]	0.5	0.3	0.37
Sound pressure level [dBA]*	38	39	40

* Sound pressure level measured in free space at a distance of 3 meters from the fan.



Fixing bracket

- o Fan with a mounting bracket for mounting to a horizontal or vertical surface.



Tubo-U

Accessories

Air disc valves	Duct system	Flexible air ducts	Grilles and hoods	Speed controllers	Clamps
VPR, VSR, VMR	BlauPlast	BlauFlex	Decor, GM	SGS E1	MCD 60/0.3
					K, KZ