

MF-Box-S

Mounting frame for Box-S duct fans

Use

- MF-Box-S is designed for vertical or horizontal installation of Box-S series duct fans.
- Based on the standard size of the fan, multiple mounting options are provided: for models up to and including the standard size 500, both horizontal (floor) mounting and vertical (wall) mounting are possible; for models of standard size beyond 500, horizontal mounting only is possible.

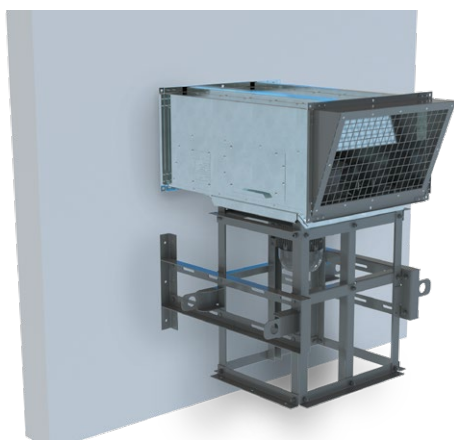


Design

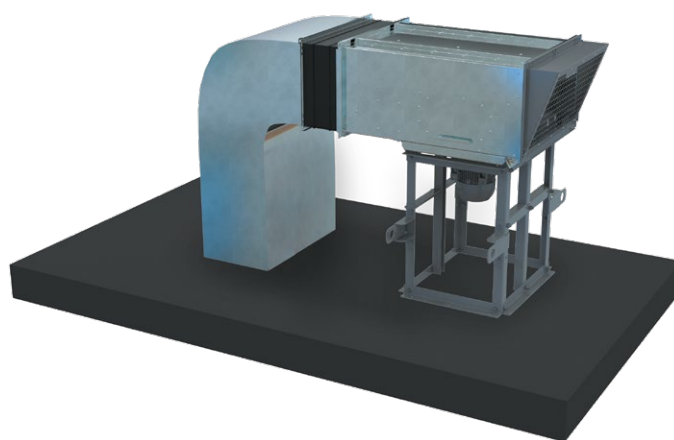
- The mounting frame acts as a transition element ensuring that the Box-S fan is fastened reliably to the supporting surface (wall or floor).
- It is made of carbon steel, providing structure durability and stability.

Mounting example

VERTICAL



HORIZONTAL



Designation key

MF-Box-S:
mounting frame for Box-S duct fans

Fan size:
25, 28, 31, 35, 40, 45, 50, 56, 63, 71

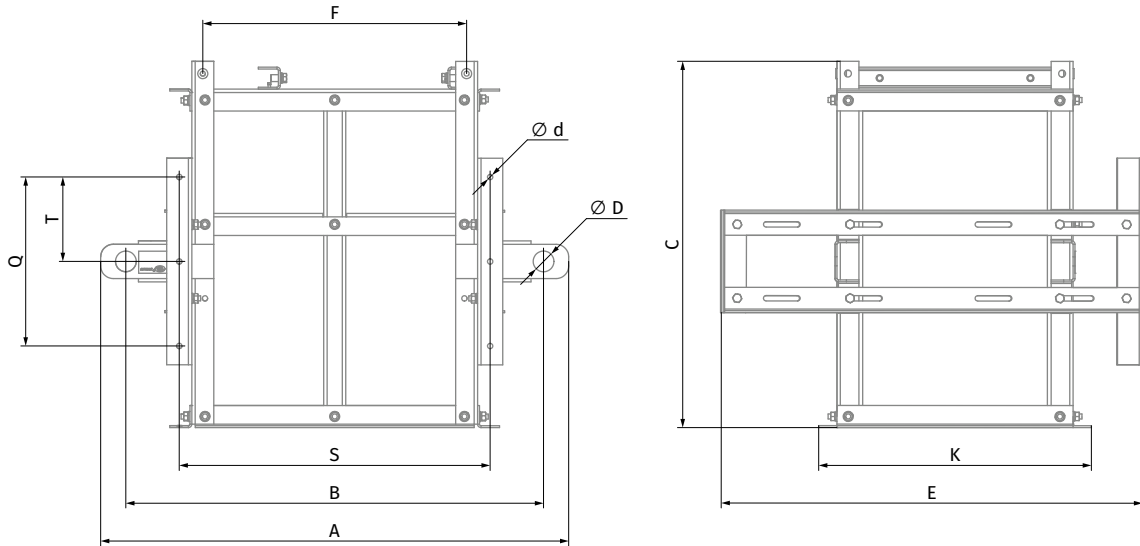
Mounting:
H: horizontal (floor)
V: vertical (wall)

MF-Box-S 28 - H

Dimensions [mm]

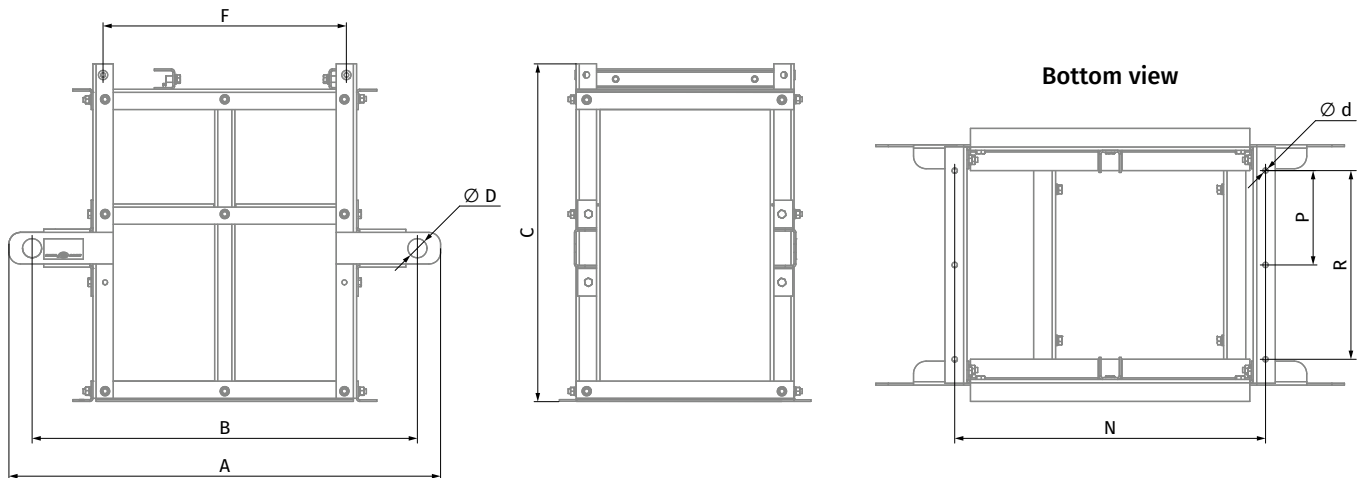
MF-BOX-S WITH VERTICAL AND HORIZONTAL FAN INSTALLATION

Model	A	B	C	S	F	K	N	R	P	Q	T	E	Ø d	Ø D	Weight [kg]
MF-Box-S 25-V	745	665	583	495	420	434	494	300	150	269	134.5	671	8.5	33	23
MF-Box-S 28-V	829	749	605	579	500	437	578	300	150	269	134.5	672	8.5	33	24
MF-Box-S 31-V	829	749	605	579	500	437	578	300	150	269	134.5	672	8.5	33	24
MF-Box-S 35-V	905	825	605	655	580	502	654	300	150	269	134.5	671	8.5	33	25.4
MF-Box-S 40-V	905	825	605	655	580	519	654	300	150	269	134.5	671	8.5	33	25.2
MF-Box-S 45-V	905	825	657	655	580	588	654	500	250	270	135	841	8.5	33	29.3
MF-Box-S 50-V	905	825	657	655	580	640	654	500	250	270	135	841	8.5	33	30



MF-BOX-S WITH HORIZONTAL INSTALLATION OF THE FAN UP TO SIZE 500

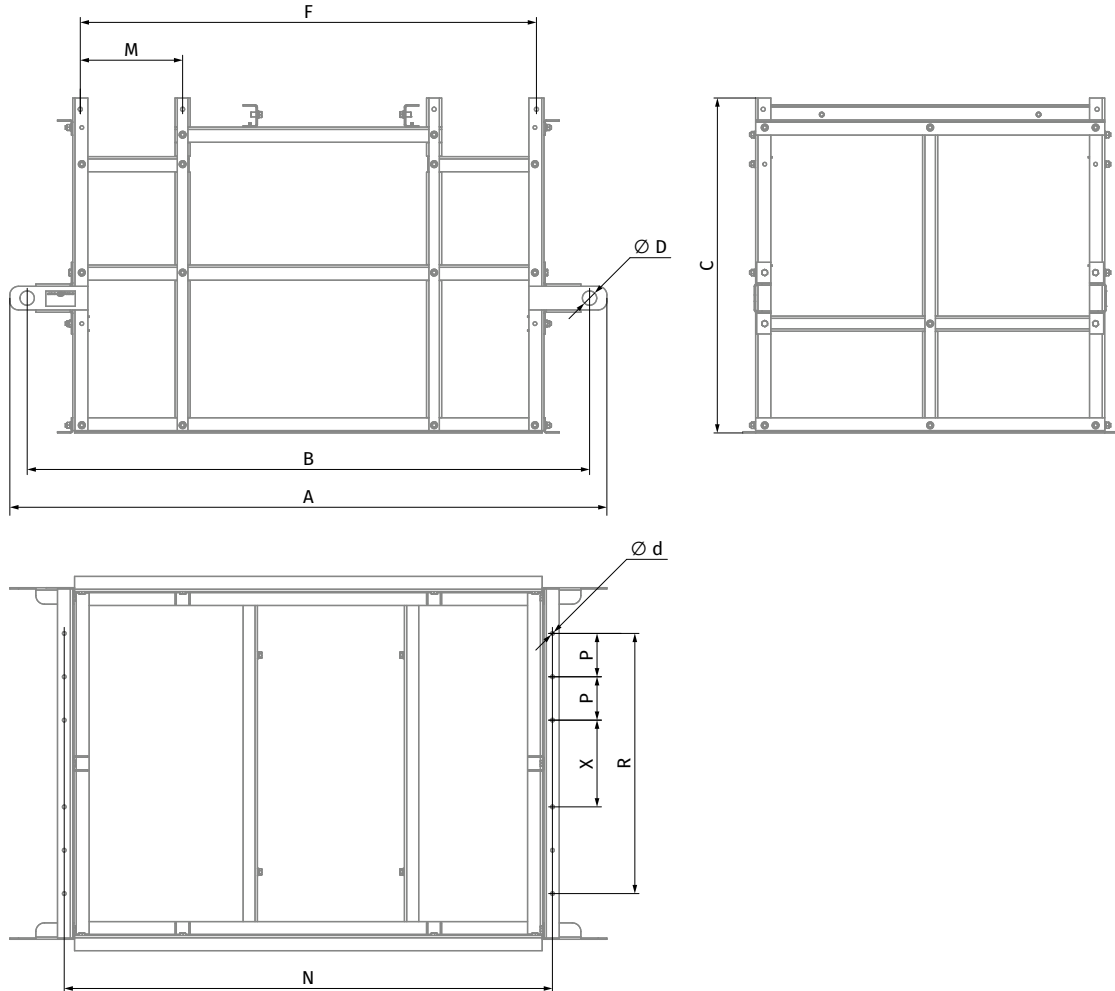
Model	A	B	C	F	K	N	R	P	Ø d	Ø D	Weight [kg]
MF-Box-S 25-H	745	665	583	420	434	494	300	150	8.5	33	16
MF-Box-S 28-H	829	749	605	500	437	578	300	150	8.5	33	17
MF-Box-S 31-H	829	749	605	500	437	578	300	150	8.5	33	17
MF-Box-S 35-H	905	825	605	580	502	654	300	150	8.5	33	19
MF-Box-S 40-H	905	825	605	580	519	654	300	150	8.5	33	18.7
MF-Box-S 45-H	905	825	657	580	588	654	500	250	8.5	33	22
MF-Box-S 50-H	905	825	657	580	640	654	500	250	8.5	33	22.5



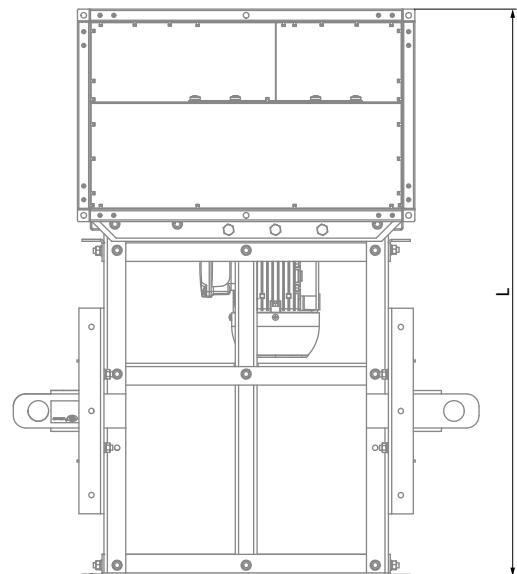
ACCESSORIES FOR DUCT SMOKE EXTRACTION FANS

MF-Box-S WITH HORIZONTAL INSTALLATION OF THE FAN FROM SIZE 560

Model	A	B	C	F	K	N	R	P	X	M	Ø d	Ø D	Weight [kg]
MF-Box-S 56-H	1065	985	685	740	705	814	450	125	200	-	8.5	33	27
MF-Box-S 63-H	1141	1061	675	816	780	890	600	150	300	118	8.5	33	33.8
MF-Box-S 71-H	1377	1297	772	1052	863	1126	600	100	200	236	8.5	33	39



Model	Total height L of MF-Box-S + Box-S [mm]	Total weight of MF-Box-S + Box-S [kg]
MF-Box-S 25-V	907.4	62
MF-Box-S 25-H	907.4	54
MF-Box-S 28-V	931.4	63
MF-Box-S 28-H	931.4	55
MF-Box-S 31-V	982.4	72
MF-Box-S 31-H	982.4	65
MF-Box-S 35-V	1301	73
MF-Box-S 35-H	1301	67
MF-Box-S 40-V	1131	112
MF-Box-S 40-H	1131	105
MF-Box-S 45-V	1281	115
MF-Box-S 45-H	1281	108
MF-Box-S 50-V	1281	126
MF-Box-S 50-H	1281	118
MF-Box-S 56-H	1409	130
MF-Box-S 63-H	1500	163
MF-Box-S 71-H	1702	228



ACCESSORIES FOR DUCT SMOKE EXTRACTION FANS