

Introduction of BLAUBERG

Blauberg Group, a globally renowned ventilation brand, has been dedicated to ventilation products for many years and has always been committed to improving air quality through technological innovation. With a mission to "improve indoor environments to enhance quality of life," Blauberg has developed over 10,000 products and launched "ultra-low-energy building ventilation systems" to improve building environments and create a green lifestyle. In terms of product quality, Blauberg has been awarded certifications from internationally recognized authorities such as BSI, PHI, and TUV, earning high recognition and trust from users at home and abroad. Moreover, Blauberg has implemented a one-stop service system to provide every user with high-quality and convenient services, allowing each user to enjoy the beauty of breathing with peace of mind. With Blauberg from Germany, breathe freely and comfortably.



BLAUBERG China
Blauberg Environmental Systems (Suzhou) Co., Ltd.

Tel: 400-825-0508
Website: www.blauberg.cn
Version Number: 302010167-2405

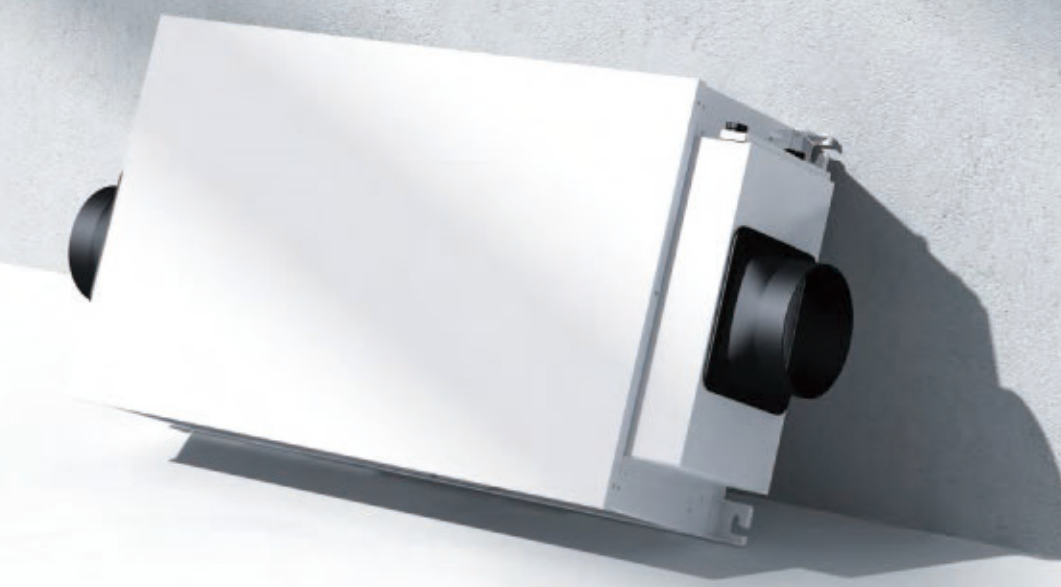
This document and the information disclosed herein are proprietary data of Blauberg Ventilatoren GmbH. Neither this document, nor the information contained herein shall be reproduced, used, or disclosed to others without the written authorisation of Blauberg Ventilatoren GmbH, except to the extent required for installation or maintenance of recipient's equipment. Blauberg Ventilatoren GmbH, All rights reserved.



WeChat Official Account

Small Body Great Performance

One-way Flow Dehumidification
DUNE Series



DUNE Series

50_{LD} Dehumidification | 450_{m³/h} Maximum Airflow



DUNE series dehumidifiers boast powerful dehumidification capabilities, thanks to their efficient compressors and well-designed internal structure.

Here are the six main reasons to choose it

1 Powerful Dehumidification Capability
The DUNE series boasts three different specifications of dehumidifiers, widely used in high-humidity environments such as underground garages, basements, storage rooms, and more.

2 One-Key Intelligent Dehumidification
Simply set your desired humidity level (20%-95%) with the touch of a button, and the device will automatically start operating. Once the air humidity reaches the set standard, the device will stop automatically, and it will restart if the humidity exceeds the target level.
* We recommend setting it between 50% to 60%.

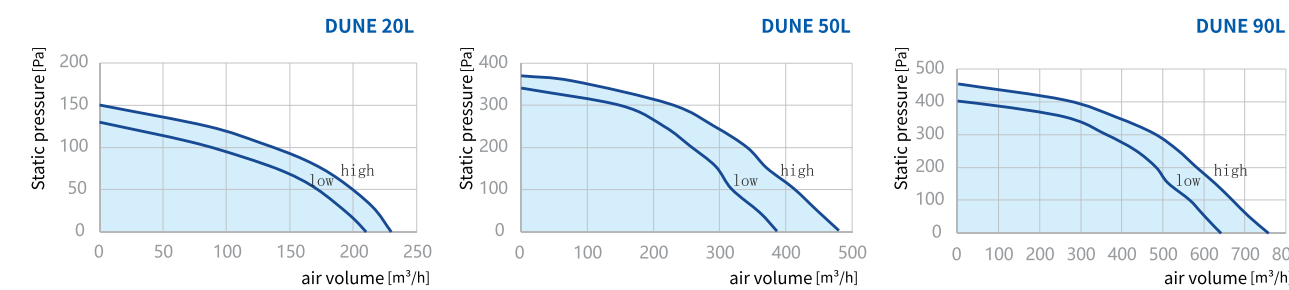
3 Low Noise
The combination of high-quality compressors and fans enhances the overall efficiency of the unit, resulting in energy-saving and low-noise operation.

4 6 Core Protections
Delay Protection
Full Water Protection
Defrost Protection
High/Low Temperature Protection
Refrigerant Low Pressure Protection
Compressor Overload Protection

5 Automatic Drainage
Equipped with a high-quality built-in water pump, the condensate is automatically discharged through the pipeline.

6 Humanized Design
The combination of high-quality compressors and fans enhances the overall efficiency of the unit, resulting in energy-saving and low-noise operation.

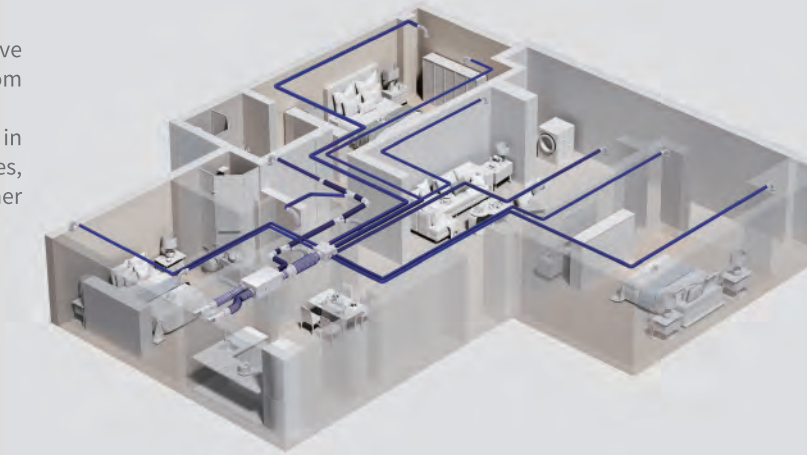
PQ Curve



Internal Circulation Central Dehumidification System
DUNE 20L/50L/90L
Dehumidification capacity equivalent to 180 bottles of mineral water per day*
20L model suitable for area 25m²-40m² | 50L model suitable for area 40m²-100m²
90L model suitable for area 100m²-160m²
*Dune 90L model has a maximum daily dehumidification capacity of 90L, which is equivalent to 180 bottles of mineral water if each bottle contains 500ml.

New material, more substance. A healthier Blaufast system.

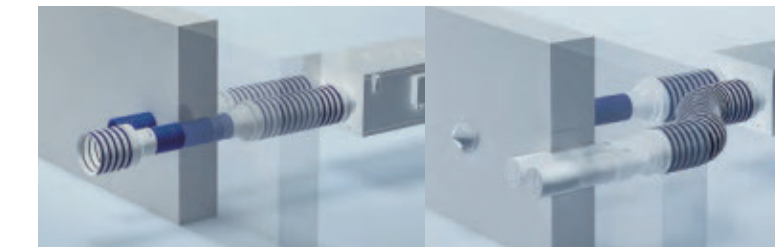
BLAUFAST system has undergone a comprehensive upgrade. Both the pipes and fittings are made from environmentally friendly new materials. The pipes undergo rigorous environmental testing in authoritative laboratories for antimicrobial properties, antibacterial durability, mold resistance, weather resistance, and absence of pollutants.



	BLAUFAST Duct	Origin Country	Material Used	Performance Specifications
	Blue	Imported	HDPE	REACH, HY, Antibacterial, Antibacterial Durability, Mold Resistance, Antistatic, Weather Resistance Properties
	Red Blue (BlauFast RK 110/40 C)	Domestic	HDPE	Antibacterial, Antibacterial Durability, Mold Resistance, Antistatic, Weather Resistance Properties

The through-wall over-beam solution

Multiple three-way diameter-changing options are available to adapt to a wider range of installation scenarios, providing more solutions for through-wall over-beam installations, making air intake less challenging.



Air vent connectors

The all-new upgraded air vent connectors reduce air noise, offering multiple sizes to meet a variety of scene requirements.

Air volume control valve

The dual-blade butterfly valve design offers a wider range of valve adjustment angles, allowing for finer control of air volume and ensuring uniform airflow distribution to every space. No more worries about airflow. The knob can be adjusted manually or using a screwdriver, making it more labor-saving.



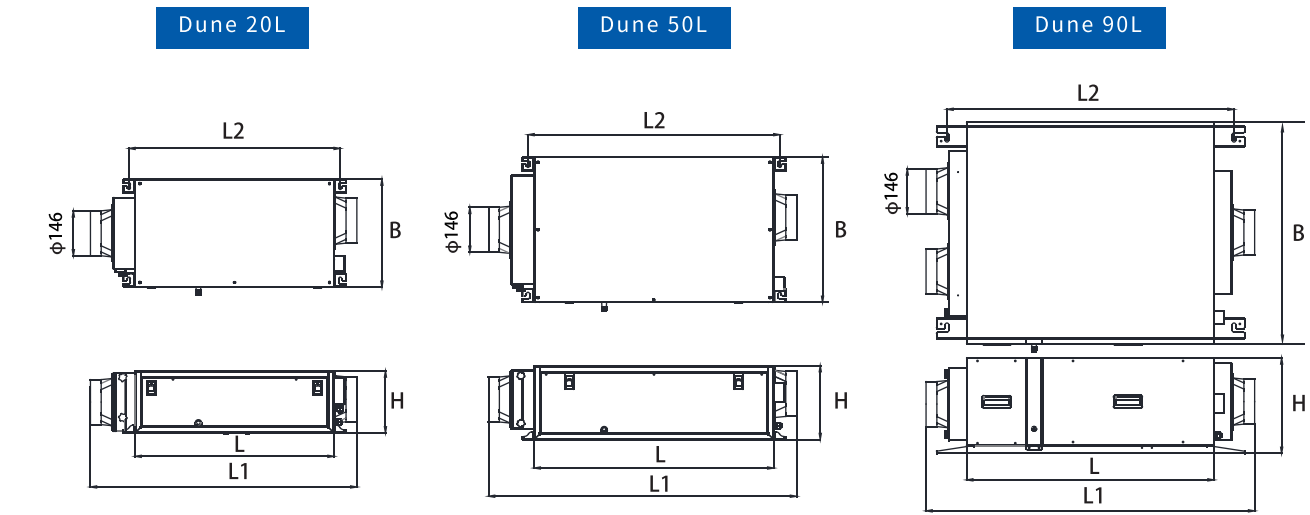
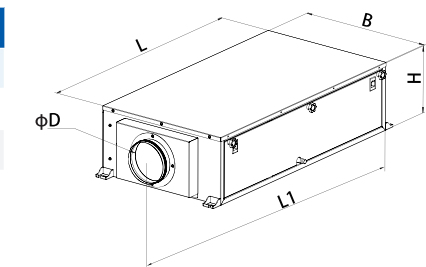
The all-new Bruck circular duct

The all-new Bruck circular duct is made from high-end thermoplastic elastomer material (TPV), utilizing seamless hot melt winding technology during production. It boasts antibacterial properties and exceptional weather resistance, withstanding temperatures ranging from -40°C to 70°C.



DUNE Series - Product Dimensions

Model	Full Size Dimensions [mm]					
	ΦD	B	H	L	L1	L2
Dune 20L	146	351	201	646	865	686
Dune 50L	146	472	240	778	1000	818
Dune 90L	146	721	310	803	1067	932



DUNE Series - Technical Parameters

Technical parameters	DUNE 20L	DUNE 50L	DUNE 90L
Area Coverage [m²]	25-40	40-100	100-160
Maximum Static Pressure [Pa]	150	370	450
Rated Voltage [V]		220	
Rated Frequency [Hz]		50	
Dehumidification Capacity [L/day] (30°C/80%)	20	50	90
Airflow [m³/h]	200	450	700
Rated Power [W]	400	1150	1350
Noise Level [dB(A)]	38	45	47
Casing Material	Polymer coated steel plate		
Refrigerant/Charge [g]	R134a/260	R134a/900	R410A/900
Air Supply Filter		G2	
Air Vent Flange [mm]		146	
Weight [kg]	28	47	65

Test Conditions Remarks:
1. Input power, dehumidification capacity, noise level, airflow, etc., are all test data obtained under dehumidification mode.
2. Airflow, input power, dehumidification capacity, etc., are measured with a 1m air duct connected to the air intake and air outlet of the unit, under a static pressure of 50Pa.
3. The noise level is the A-weighted average sound pressure level, which is the central value of the laboratory test results, with a tolerance range of ±3dB.
4. The noise level is measured indoors in a noise testing room, 1.5m below the product (with a 1m muffler connected to the air outlet of the unit and a 1m air duct connected to the air intake).