

DUCTO

IN-LINE FANS

Low noise axial inline fans for exhaust or supply ventilation with superior air flow up to 375 m³/h



Air flow:
up to 375 m³/h
104 l/s



Power:
from 4.5 W

SFP:
from 0.22 W/l/s



Noise level:
from 22 dBA



Features



- The casing and the impeller are made of high-quality durable plastic.
- The specially designed mixed-flow impeller profile ensures high air flow and low noise level.
- Protection rating IPX4.
- Low energy usage from 4.5 W.
- The models of **Blauberg Ducto** Series are equipped with a single-phase motor and are available in single- or two speed modifications.
- The motors have thermal overheating protection for motor overload prevention.
- Designed for PVC ducting systems or flexible ducts.
- From low to medium air flow motion for short distances at low air resistance.
- Compatible with Ø 100, 125 and 150 mm air ducts.

Options



Ducto Plus – reliable single-phase two-speed motor.

Ducto Power Plus – two-speed high-powered motor.

Ducto T – modification with a regulated timer with the operating time from 2 to 30 minutes.

Ducto W1 – modification with a power cord with an IEC C14 electric plug.

Fixing bracket

Ducto-U – modification with a fixing bracket for flat surface mounting.



Ducto-U

Control



- Manual speed control with a room light switch. It is not included in the delivery set.
- Smooth speed control with a thyristor speed controller (see Electrical Accessories). Several fans may be connected to the same controller. The models with a timer are not compatible with a speed controller.
- Automatic fan control with the MCD 60/0.3 electronic control unit (see Electrical Accessories). The control unit is supplied separately.
- Automatic fan control with the timer T (built-in turn-off delay timer enables the fan operation within 2 to 30 minutes after the fan switching off).

Operation modes of fans with a timer



Updated automatic control for T modifications of Ducto Plus 100, 125, 150 and Ducto Power Plus 150 models enables setting one of four available operation modes. Changeover to another operation mode by means of setting the DIP switch to a respective position.

- **Mode 1** (single-speed mode)
The fan is turned off by default. The fan starts operating with the 1st speed when the switch is closed.
- **Mode 2** (single-speed mode)
The fan is turned off by default. The fan starts operating with the 2nd speed when the switch is closed.
- **Mode 3** (two-speed mode)
The fan operates with the 1st speed by default. The fan switches to the 2nd speed when the switch is closed.
- **Mode 4** (automatic interval mode)
The fan operates at the 1st speed by default. Each set time (adjustable from 1 to 15 hours) the fan switches to the 2nd speed automatically and reverts back to 1st speed after 2–30 minutes operation with maximum capacity.

Designation key

Model	-U	Plus	125
	Fixing bracket	Options	Spigot diameter

Accessories

Air disc valves



VPR, VSR, VMR

Duct system



BlauPlast

Flexible air ducts



BlauFlex

Grilles and hoods



Decor, GM

Speed controllers



CDT E1.8

Clamps



MCD 60/0.3



K, KZ

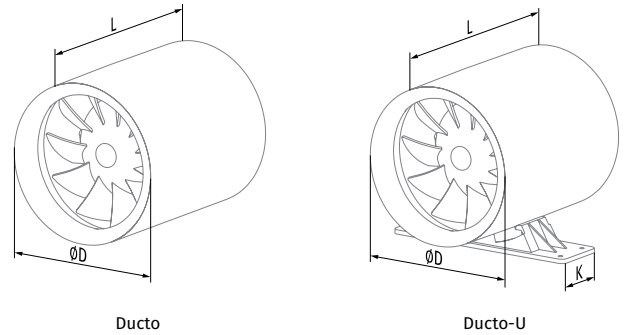
DUCTO

IN-LINE FANS

Overall dimensions and mounting

- The fan is mounted into a duct of appropriate size. Fastening with clamps in case of flexible duct connection.
- The mounting bracket enables installation of the fan on horizontal and vertical flat surfaces (Ducto-U model).
- Two fans can be installed in series for higher operation pressure.

Dimensions [mm]	L	Ø D	K
Ducto 100	137.5	100	-
Ducto-U 100	137.5	100	53.5
Ducto 125	161.5	125	-
Ducto-U 125	161.5	125	53.5
Ducto 150	181.5	150	-
Ducto-U 150	181.5	150	53.5



Technical data

Model	Ducto 100	Ducto Plus 100		Ducto 125	Ducto Plus 125		Ducto 150	Ducto Plus 150		Ducto Power Plus 150	
	-	min	max	-	min	max	-	min	max	min	max
Voltage [V/Hz]	220-240/50	220-240/50		220-240/50	220-240/50		220-240/50	220-240/50		220-240/50	
Power [W]	7.5	4.5	7.5	13	10	13	22	19	22	22	25
Current [A]	0.049	0.029	0.049	0.085	0.065	0.085	0.095	0.087	0.095	0.103	0.109
RPM [min ⁻¹]	2100	1650	2100	2250	1950	2250	2250	1950	2250	2300	2600
Air flow [m ³ /h (l/s)]	110 (31)	75 (21)	110 (31)	215 (60)	155 (43)	215 (60)	340 (94)	250 (69)	340 (94)	285 (79)	375 (104)
SFP [W/l/s]	0.25	0.22	0.25	0.22	0.23	0.22	0.23	0.27	0.23	0.28	0.24
Sound pressure level [dBA]*	25	22	25	33	29	33	39	36	39	38	41
Weight [kg]	0.61	0.61	0.61	0.75	0.75	0.75	1.3	1.3	1.3	1.3	1.3

* Sound pressure level measured in free space at a distance of 3 meters from the fan.

