



DX COOLER

CDX 500X250-3

CDX 500X300-3

CDX 600X350-3

CDX 800X500-3

CDX 700X400-3

CDX 1000X500-3

CDX 1200X600-3

EN

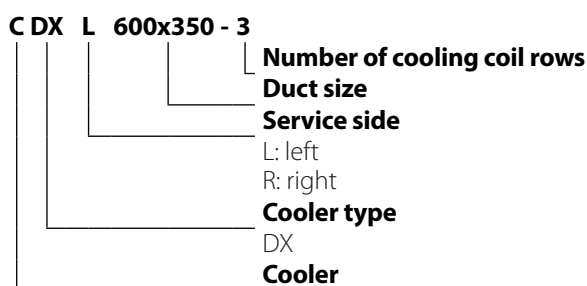
INSTALLATION INSTRUCTION

CONTENTS

Designation key.....	2
Compatibility of coolers and units	2
Overall and connecting dimensions.....	3
Mounting and set-up.....	3
Technical maintenance	5
Storage and transportation regulations.....	5
Manufacturer's warranty	6
Certificate of acceptance.....	7
Seller information.....	7
Installation certificate.....	7
Warranty card.....	7

The DX cooler is a component part and is not to be operated as a stand-alone unit.
 The unit design is constantly being improved, thus some models may be slightly different from those described in this manual.

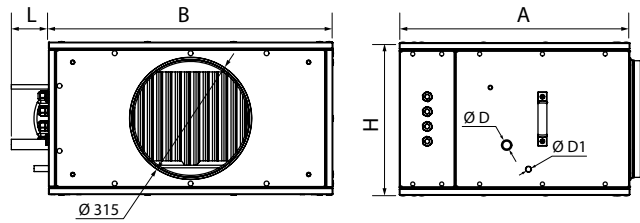
DESIGNATION KEY



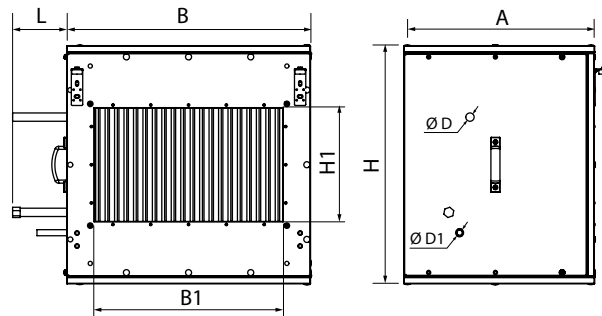
COMPATIBILITY OF COOLERS AND UNITS

BL02 RH 1500	CDX 600x350-3	BL01 CFV 800	CDX 500x250-3
BL02 RH 2500		BL01 CFV 1200	
BL02 CFH 1500		BL01 CFH 800	
BL02 CFH 2500		BL01 CFH 1200	
BL02 CFP 1500		BL01 RV 800	
BL02 CFP 2500		BL01 RV 1200	
BL03 CFP 3500		BL01 RH 800	
BL02 CFV 1500		BL01 RH 1200	
BL02 CFV 2500		BL01 CFP 1200	
BL03 CFV 3500		BL02 RP 800	
BL02 RV 1500		BL02 RP 1500	
BL02 RV 2500		BL02 RP 2500	
BL03 RV 3500			
BL03 RH 3500			
BL03 CFH 3500			
BL07 CFH 5000	CDX 1000x500-3		
BL07 CFH 6000			
BL07 RH 5000			
BL07 RH 6000			
BL07 CFV 5000			
BL07 CFV 6000			
BL07 RV 5000			
BL07 RV 6000			
BL07 CFP 5000	CDX 800x500-3		
BL07 CFP 6000			
BL12 RH 9000	CDX 1200x600-3		
BL12 CFH 9000			

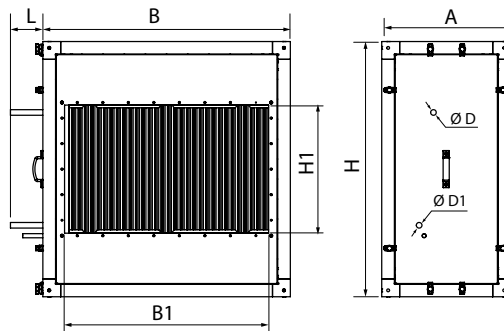
OVERALL AND CONNECTING DIMENSIONS



DX cooler	Dimensions [mm]						D, "	D1 [mm]	Weight [kg]
	A	B	B1	H	H1	L			
CDX 500x250-3	620	765	-	410	-	115-150	1	25	32

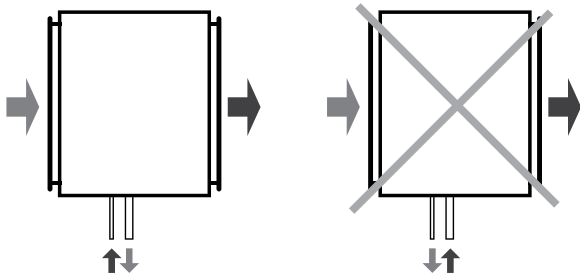


DX cooler	Dimensions [mm]						D, "	D1 [mm]	Weight [kg]
	A	B	B1	H	H1	L			
CDX 600x350-3	505	750	600	480	350	115-150	1	25	42
CDX 500x300-3		645	500	630	300				36
CDX 700x400-3		890	700	645	400				68
CDX 1000x500-3		1280	1000	710	500				138



DX cooler	Dimensions [mm]						D, "	D1 [mm]	Weight [kg]
	A	B	B1	H	H1	L			
CDX 800x500-3	505	970	800	1000	500	115-150	1	25	160
CDX 1200x600-3		1430	1200	907	600				210

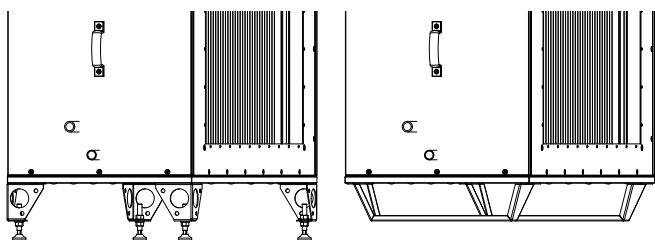
MOUNTING AND SET-UP



To attain the maximum capacity, the cooler must be connected on counter-flow basis.

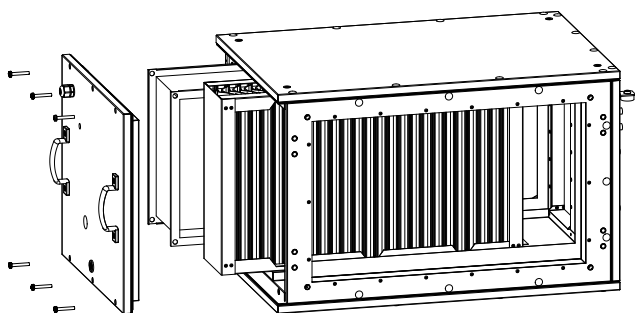
Counter-flow connection

Direct-flow connection

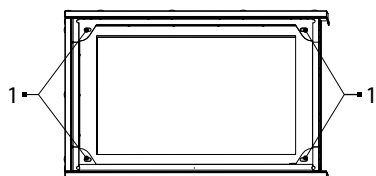


If the cooler is to be mounted on the floor, the feet must be screwed on.

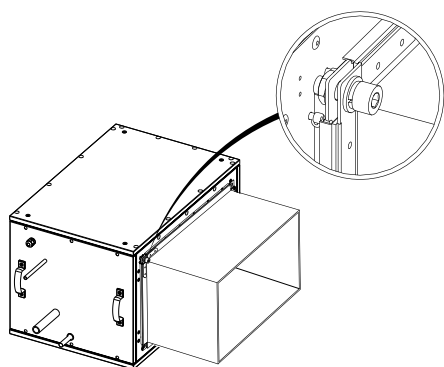
The feet are not included in the delivery set for 600x350 size coolers and must be ordered separately.



To connect the cooler to the unit, remove the front panel and remove the cooling unit and droplet separator.



Fasten the cooler casing to the unit with screws.
1 - places for mounting screws.



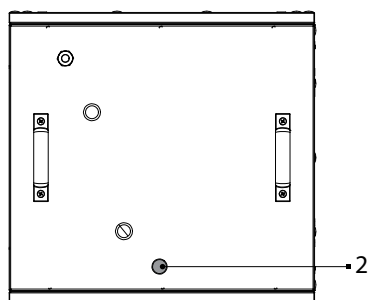
The cooler is connected to the air duct using a flange connection.

Outdoor installation of the cooler is permissible. While mounting the cooling unit provide quick and easy dismantling of the cooler, the drain pan of the droplet separator and the drain pipe.

Sensor placement.

The supply air duct temperature sensor always be placed downstream of the cooler (in the direction of the air flow), mounted in the air duct downstream of the heat exchanger at a distance of 3 m from it.

Condensate drainage



The DX coolers are equipped with a drain pan for condensate collection. The condensate is drained off via the drain pipe (2)

A drain pan with a drain pipe connected to a sewage system is designed for condensate drainage.

While selecting the U-trap dimension type consider the total fan pressure.

The U-trap must ensure correct operation of the ventilation system.

Connect the drain pipe, the U-trap (not included into the delivery set) and a sewage system with metal, plastic or rubber pipes.

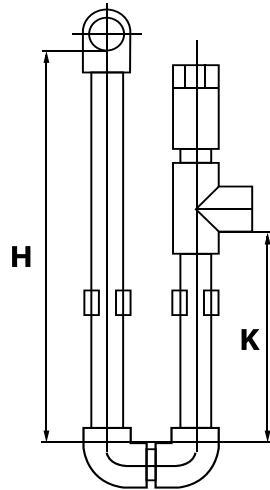
The pipe slope downwards must be at least 3°.

Before starting the cooler fill the system with water and check that the U-trap is always filled with water.

Make sure that the water drainage is correct. Wrong connection to sewage system may result in condensate accumulation inside the cooler.

The condensate drainage system is designed for normal operation in premises with air temperatures above 0 °C!

If the expected ambient air temperatures are below 0 °C the condensate drainage system must be equipped with heat insulation and pre-heating facilities.



H [mm]	K[mm]	P [Pa]
100	55	600
200	105	1100
260	140	1400

H - U-trap height

K - drain height

P - total pressure in the fan

TECHNICAL MAINTENANCE

Maintenance means regular preventive measures during operations.

The aluminium ribs and the droplet separator must be cleaned at least once per year by vacuum cleaner or pressure water flushing.

The cleaning periodicity depends on air pollution degree and maintenance quality of the filters and equipment.

If the internal environment is clean enough, the cleaning may be performed more seldom, as required.

The U-trap maintenance includes regular control of water level and sufficient U-trap and drain pipes clearance.

STORAGE AND TRANSPORTATION REGULATIONS

- Store the unit in the manufacturer's original packaging box in a dry closed ventilated premise with temperature range from +5 °C to +40 °C and relative humidity up to 70 %.
- Storage environment must not contain aggressive vapors and chemical mixtures provoking corrosion, insulation, and sealing deformation.
- Use suitable hoist machinery for handling and storage operations to prevent possible damage to the unit.
- Follow the handling requirements applicable for the particular type of cargo.
- The unit can be carried in the original packaging by any mode of transport provided proper protection against precipitation and mechanical damage. The unit must be transported only in the working position.
- Avoid sharp blows, scratches, or rough handling during loading and unloading.
- Prior to the initial power-up after transportation at low temperatures, allow the unit to warm up at operating temperature for at least 3-4 hours.

MANUFACTURER'S WARRANTY

The product is in compliance with EU norms and standards on low voltage guidelines and electromagnetic compatibility. We hereby declare that the product complies with the provisions of Electromagnetic Compatibility (EMC) Directive 2014/30/EU of the European Parliament and of the Council, Low Voltage Directive (LVD) 2014/35/EU of the European Parliament and of the Council and CE-marking Council Directive 93/68/EEC. This certificate is issued following test carried out on samples of the product referred to above.

The manufacturer hereby warrants normal operation of the unit for 24 months after the retail sale date provided the user's observance of the transportation, storage, installation, and operation regulations. Should any malfunctions occur in the course of the unit operation through the Manufacturer's fault during the guaranteed period of operation, the user is entitled to get all the faults eliminated by the manufacturer by means of warranty repair at the factory free of charge. The warranty repair includes work specific to elimination of faults in the unit operation to ensure its intended use by the user within the guaranteed period of operation. The faults are eliminated by means of replacement or repair of the unit components or a specific part of such unit component.

The warranty repair does not include:

- routine technical maintenance
- unit installation/dismantling
- unit setup

To benefit from warranty repair, the user must provide the unit, the user's manual with the purchase date stamp, and the payment paperwork certifying the purchase. The unit model must comply with the one stated in the user's manual. Contact the Seller for warranty service.

The manufacturer's warranty does not apply to the following cases:

- User's failure to submit the unit with the entire delivery package as stated in the user's manual including submission with missing component parts previously dismantled by the user.
- Mismatch of the unit model and the brand name with the information stated on the unit packaging and in the user's manual.
- User's failure to ensure timely technical maintenance of the unit.
- External damage to the unit casing (excluding external modifications as required for installation) and internal components caused by the user.
- Redesign or engineering changes to the unit.
- Replacement and use of any assemblies, parts and components not approved by the manufacturer.
- Unit misuse.
- Violation of the unit installation regulations by the user.
- Violation of the unit control regulations by the user.
- Unit connection to power mains with a voltage different from the one stated in the user's manual.
- Unit breakdown due to voltage surges in power mains.
- Discretionary repair of the unit by the user.
- Unit repair by any persons without the manufacturer's authorization.
- Expiration of the unit warranty period.
- Violation of the unit transportation regulations by the user.
- Violation of the unit storage regulations by the user.
- Wrongful actions against the unit committed by third parties.
- Unit breakdown due to circumstances of insuperable force (fire, flood, earthquake, war, hostilities of any kind, blockades).
- Missing seals if provided by the user's manual.
- Failure to submit the user's manual with the unit purchase date stamp.
- Missing payment paperwork certifying the unit purchase.



FOLLOWING THE REGULATIONS STIPULATED HEREIN WILL ENSURE A LONG AND TROUBLE-FREE OPERATION OF THE UNIT.



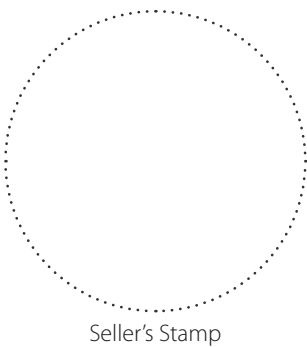
USER'S WARRANTY CLAIMS SHALL BE SUBJECT TO REVIEW ONLY UPON PRESENTATION OF THE UNIT, THE PAYMENT DOCUMENT AND THE USER'S MANUAL WITH THE PURCHASE DATE STAMP.

CERTIFICATE OF ACCEPTANCE

Unit Type	DX cooler
Model	
Serial Number	
Manufacture Date	
Quality Inspector's Stamp	

SELLER INFORMATION

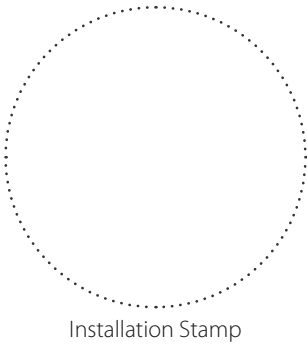
Seller	
Address	
Phone Number	
E-mail	
Purchase Date	
This is to certify acceptance of the complete unit delivery with the user's manual. The warranty terms are acknowledged and accepted.	
Customer's Signature	



INSTALLATION CERTIFICATE

The _____ unit is installed pursuant to the requirements stated in the present user's manual.

Company name	
Address	
Phone Number	
Installation Technician's Full Name	
Installation Date:	Signature:
The unit has been installed in accordance with the provisions of all the applicable local and national construction, electrical and technical codes and standards. The unit operates normally as intended by the manufacturer.	
Signature:	



WARRANTY CARD

Unit Type	DX cooler
Model	
Serial Number	
Manufacture Date	
Purchase Date	
Warranty Period	
Seller	

