

IMPULSE AXIAL FAN



Axis-Jet

EN

USER'S MANUAL



BLAUBERG
Ventilatoren

CONTENTS

Safety requirements.....	3
Purpose.....	5
Delivery set.....	5
Designation key.....	5
Technical data.....	6
Design and operating principle	10
Mounting and set-up.....	11
Connection to power mains	12
Commissioning.....	14
Technical maintenance.....	15
Troubleshooting.....	16
Storage and transportation regulations.....	17
Manufacturer's warranty	18
Certificate of acceptance.....	19
Seller information.....	19
Installation certificate.....	19
Warranty card.....	19

This user's manual is a main operating document intended for technical, maintenance, and operating staff.

The manual contains information about purpose, technical details, operating principle, design, and installation of the Axis-Jet unit and all its modifications.

Technical and maintenance staff must have theoretical and practical training in the field of ventilation systems and should be able to work in accordance with workplace safety rules as well as construction norms and standards applicable in the territory of the country.

SAFETY REQUIREMENTS

Connection to the mains must be made through a disconnecting device, which is integrated into the fixed wiring system in accordance with the wiring rules for design of electrical units, and has a contact separation in all poles that allows for full disconnection under overvoltage category III conditions.

Ensure that the unit is switched off from the supply mains before removing the guard.

Precautions should be taken to avoid backflow of gases into the room from open chimneys or appliances burning fuel.

All operations described in this manual must be performed by qualified personnel only, properly trained and qualified to install, make electrical connections and maintain ventilation units.

Do not attempt to install the product, connect it to the mains, or perform maintenance yourself. This is unsafe and impossible without special knowledge.

Disconnect the power supply prior to any operations with the unit.

All user's manual requirements as well as the provisions of all the applicable local and national construction, electrical, and technical norms and standards must be observed when installing and operating the unit.

Disconnect the unit from the power supply prior to any connection, servicing, maintenance, and repair operations.

Only qualified electricians with a work permit for electrical units up to 1000 V are allowed for installation. The present user's manual should be carefully read before beginning works.

Check the unit for any visible damage of the impeller, the casing, and the grille before starting installation. The casing internals must be free of any foreign objects that can damage the impeller blades.

While mounting the unit, avoid compression of the casing! Deformation of the casing may result in motor jam and excessive noise.

Misuse of the unit and any unauthorised modifications are not allowed.

Do not expose the unit to adverse atmospheric agents (rain, sun, etc.).

Transported air must not contain any dust or other solid impurities, sticky substances, or fibrous materials.

Do not use the unit in a hazardous or explosive environment containing spirits, gasoline, insecticides, etc.

Do not close or block the intake or extract vents in order to ensure the efficient air flow.

Do not sit on the unit and do not put objects on it.

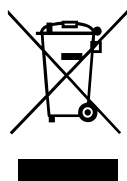
The information in this user's manual was correct at the time of the document's preparation.

The Company reserves the right to modify the technical characteristics, design, or configuration of its products at any time in order to incorporate the latest technological developments.

Never touch the unit with wet or damp hands.

Never touch the unit when barefoot.

BEFORE INSTALLING ADDITIONAL EXTERNAL DEVICES, READ THE RELEVANT USER MANUALS.



THE PRODUCT MUST BE DISPOSED SEPARATELY AT THE END OF ITS SERVICE LIFE.

DO NOT DISPOSE THE UNIT AS UNSORTED DOMESTIC WASTE.

PURPOSE

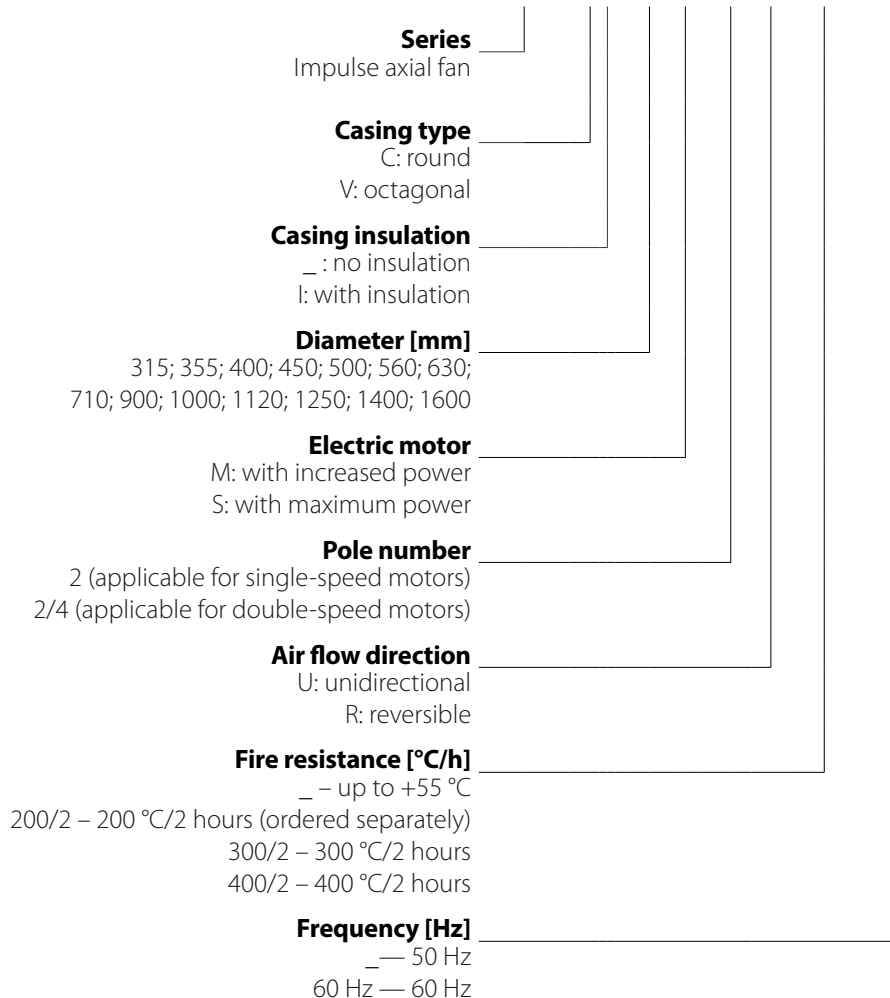
Jet axial fans are designed for general purpose ventilation of underground and semiopened car parks, ventilation of tunnels, smoke extraction in case of fire as a part of smoke extraction system. The fans generate a high-speed and high-pressure directed air jet. The unit is rated for continuous operation. Transported air must not contain any flammable or explosive mixtures, evaporation of chemicals, sticky substances, fibrous materials, coarse dust, oil particles or environments favourable for the formation of hazardous substances (toxic substances, dust, pathogenic germs). Relative humidity of transported air must not exceed +20 °C at an ambient humidity of 80 %.

DELIVERY SET

NAME	NUMBER
Fan	1 pc.
User's manual	1 pc.
Packing box	1 pc.

DESIGNATION KEY

Designation example: **Axis-Jet-C I - 315 M - 2/4 - R - 400/2 - 60 Hz**



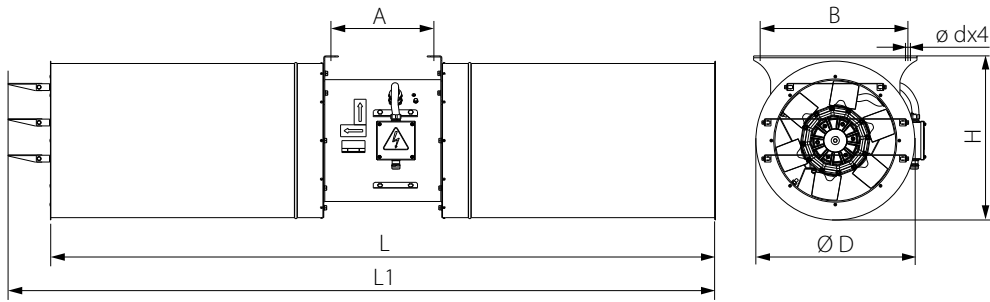
TECHNICAL DATA

The unit is rated as a Class I electrical appliance.

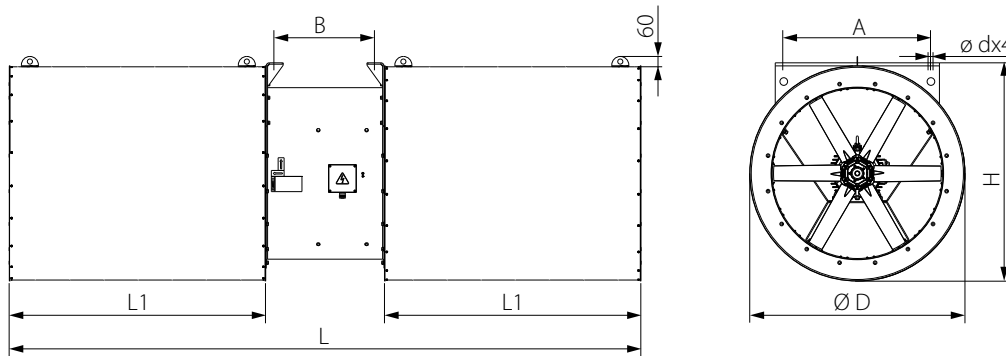
Ingress protection rating against access to hazardous parts and water ingress is IP55 for the motor and IP54 for the unit.

The fan design is constantly being improved, thus some models may be slightly different from those described in this manual.



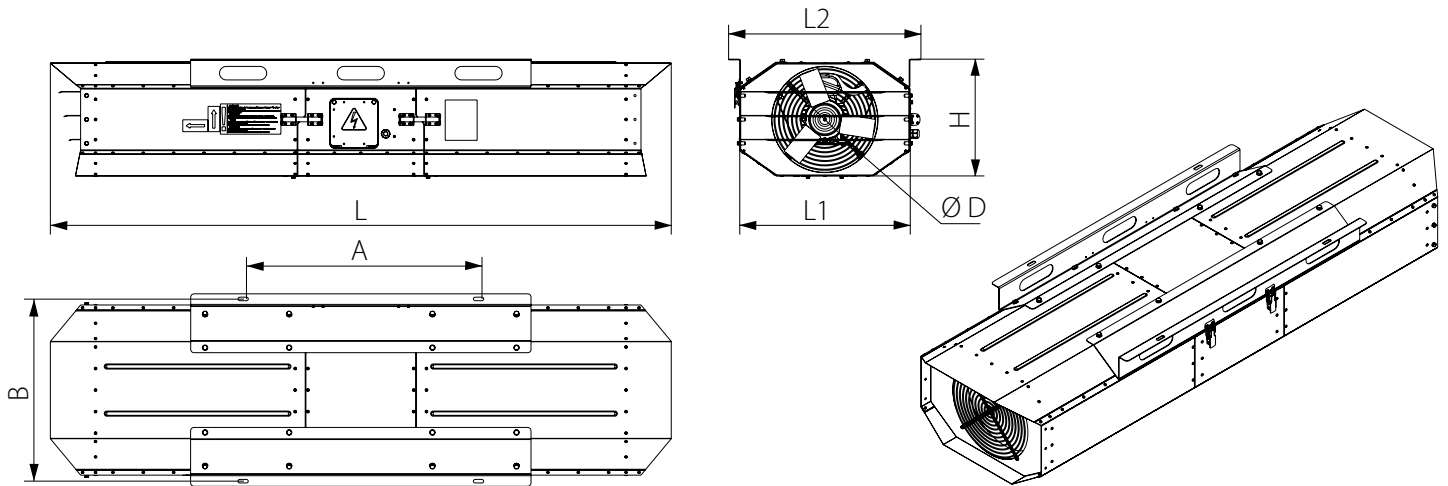


Model	Dimensions [mm]						Weight [kg]
	Ø D	A	B	H	L	L1	
Axis-Jet-CI-315-U	414	302	355	425	1654	1763	40
Axis-Jet-CI-315-R						1872	
Axis-Jet-CI-355-U	467	302	420	482	1954	2079	50
Axis-Jet-CI-355-R						2202	
Axis-Jet-CI-400-U	515	351	460	525	2004	2129	65
Axis-Jet-CI-400-R						2253	
Axis-Jet-CI-450-U	565	351	500	575	2004	2129	85
Axis-Jet-CI-450-R						2253	
Axis-Jet-CI-500-U	603	371	580	620	2004	2145	110
Axis-Jet-CI-500-R						2290	
Axis-Jet-CI-560-U	663	446	620	678	2093	2247	155
Axis-Jet-CI-560-R						2400	
Axis-Jet-CI-630-U	733	550	710	748	2193	2357	245
Axis-Jet-CI-630-R						2520	



Model	Dimensions [mm]						
	Ø D	A	B	H	L	L1	ø d
Axis-Jet-CI-710-2D/11-U	915	560	550	935	2800	1075	20
Axis-Jet-CI-710-2D/15-U			600		2850		
Axis-Jet-CI-710-2D/18.5-U			550		2800		
Axis-Jet-CI-710-2D/22-U			600		2850		
Axis-Jet-CI-710-2D/11-R			550		2800		
Axis-Jet-CI-710-2D/15-R			600		2850		
Axis-Jet-CI-710-2D/18.5-R			550		2800		
Axis-Jet-CI-710-2D/22-R			600		2850		
Axis-Jet-CI-900-4D/11-U	1135	730	550	1150	3370	1360	20
Axis-Jet-CI-900-4D/15-U			600		3420		
Axis-Jet-CI-900-4D/18.5-U			550		3370		
Axis-Jet-CI-900-4D/11-R			600		3420		
Axis-Jet-CI-900-4D/15-R			550		3370		

Model	Dimensions [mm]										
	Ø D	A	B	H	L	L1	ø d				
Axis-Jet-CI-1000-4D/15-U	1265	895	575	1285	3720	1510	20				
Axis-Jet-CI-1000-4D/18.5-U			725		3870						
Axis-Jet-CI-1000-4D/22-U								575	3720		
Axis-Jet-CI-1000-4D/30-U			725		3870						
Axis-Jet-CI-1000-4D/15-R								1315	1020	720	1335
Axis-Jet-CI-1000-4D/22-R			870		4380						
Axis-Jet-CI-1000-4D/30-R										570	
Axis-Jet-CI-1120-4D/22-U			720		4230						
Axis-Jet-CI-1120-4D/30-U	870	4380									
Axis-Jet-CI-1120-4D/37-U			570	4080							
Axis-Jet-CI-1120-4D/45-U	1415	1120			720	1435				4620	
Axis-Jet-CI-1120-4D/55-U			870	4770							
Axis-Jet-CI-1120-4D/18.5-R					720			4620			
Axis-Jet-CI-1120-4D/22-R			870	4770							
Axis-Jet-CI-1120-4D/30-R					720			4620			
Axis-Jet-CI-1120-4D/37-R			870	4770							
Axis-Jet-CI-1120-4D/45-R					1615			1295	720		1635
Axis-Jet-CI-1250-4D/37-U			870	5220							
Axis-Jet-CI-1250-4D/45-U	720	5070									
Axis-Jet-CI-1250-4D/55-U			870	5220							
Axis-Jet-CI-1250-4D/75-U	720	5070									
Axis-Jet-CI-1250-4D/37-R			870	5220							
Axis-Jet-CI-1250-4D/45-R	720	5070									
Axis-Jet-CI-1250-4D/55-R			870	5220							
Axis-Jet-CI-1250-4D/75-R	1815	1490			720	1835	5670				
Axis-Jet-CI-1400-4D/30-U			870	5820							
Axis-Jet-CI-1400-4D/37-U					970			5920			
Axis-Jet-CI-1400-4D/45-U			720	5670							
Axis-Jet-CI-1400-4D/55-U					870			5820			
Axis-Jet-CI-1400-4D/75-U			970	5920							
Axis-Jet-CI-1400-4D/30-R					720			5670			
Axis-Jet-CI-1400-4D/37-R			870	5820							
Axis-Jet-CI-1400-4D/45-R	970	5920									
Axis-Jet-CI-1400-4D/55-R			720	5670							
Axis-Jet-CI-1400-4D/75-R	870	5820									
Axis-Jet-CI-1600-4D/45-U			970	5920							
Axis-Jet-CI-1600-4D/55-U	720	5670									
Axis-Jet-CI-1600-4D/75-U			870	5820							
Axis-Jet-CI-1600-4D/90-U	970	5920									
Axis-Jet-CI-1600-4D/45-R			720	5670							
Axis-Jet-CI-1600-4D/55-R	870	5820									
Axis-Jet-CI-1600-4D/75-R			970	5920							
Axis-Jet-CI-1600-4D/90-R	720	5670									
			870	5820							
	970	5920									



Model	Dimensions [mm]							Weight [kg]
	Ø D1	A	B	L1	L2	L	H	
Axis-Jet-VI-315-U	315	700	542	507	572	1846	347	58
Axis-Jet-VI-315-R								
Axis-Jet-VI-355-U	355	700	583	546	613	2046	388	75
Axis-Jet-VI-355-R								
Axis-Jet-VI-400-U	400	750	632	590	667	2296	434	95
Axis-Jet-VI-400-R								

DESIGN AND OPERATING PRINCIPLE

Casing

The fans are supplied in an all-welded metal casing with rolled flanges. All the casing components are powder coated for improved protection against the environmental effects.

The casing is sound-insulated with a layer of mineral wool.

The casing has special brackets for mounting the motor which also double as guides and ensure even distribution of air across the impeller blades thereby improving the aerodynamic performance.

Reversible fans are equipped with an impeller that works in both directions.

The fan is attached to the surface with mounting brackets.

The following accessories can also be provided:

- Safety cables or chains to prevent the fan from falling.

- Safety grilles to prevent accidental injury to operators and maintenance personnel due to accidental contact with the impeller, which is a rotating part of the fan.

In addition, to prevent foreign objects from entering the fan, hitting and damaging the impeller blades during fan operation.

- Deflectors to direct the air flow in the right direction, which reduces friction losses when the fan is installed very close to the wall.

Deflectors, protective cables, protective grilles, vibration supports are not included in the delivery set, they must be ordered separately.

Silencers

The standard configuration of jet fans includes two cylindrical silencers at both ends of the fan, so the noise level generated during fan operation, especially at full speed, is reduced.

In case of strict noise restrictions, the length of the cylindrical silencers can be increased.

Motor

The fan is driven by a three-phase asynchronous motor with a squirrel-cage rotor.

The motor impeller is equipped with an axial high-efficiency and dynamically balanced impeller of optimized shape made of corrosion-resistant aluminium alloy.

MOUNTING AND SET-UP



ALL OPERATIONS DESCRIBED IN THIS USER'S MANUAL MUST BE PERFORMED BY QUALIFIED PERSONNEL ONLY, PROPERLY TRAINED AND QUALIFIED TO INSTALL AND MAINTAIN VENTILATION EQUIPMENT.

**DO NOT ATTEMPT TO INSTALL THE PRODUCT YOURSELF.
IT IS UNSAFE AND IMPOSSIBLE WITHOUT SPECIAL KNOWLEDGE.**

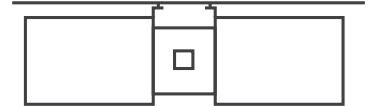
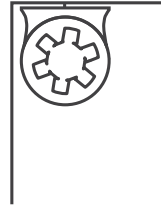
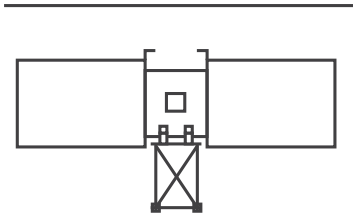
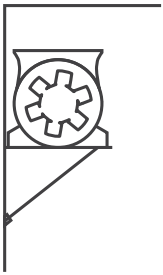


WHILE INSTALLING THE UNIT ENSURE CONVENIENT ACCESS FOR SUBSEQUENT MAINTENANCE AND REPAIR.

Before installing the unit, carry out the following checks:

- **Make sure that the fan impeller rotates freely.**
 - **Make sure there is no condensate on the motor.**
 - **Check the electrical resistance of insulation between the motor windings and between each winding and the motor casing.**
- After installing the unit, you need to make sure that the fan impeller rotates freely.**

The jet fans are suspended to the ceiling using the suspension system, or placed on small base frames fixed on the walls or mounted using the mounting brackets included in the delivery set and mounted on the casing. Suspension system, base frames and mounting brackets for fan mounting are not included in the delivery set and must be ordered separately.



CONNECTION TO POWER MAINS



DISCONNECT THE POWER SUPPLY PRIOR TO ANY OPERATIONS WITH THE UNIT.

CONNECTION OF THE UNIT TO POWER MAINS IS ALLOWED BY A QUALIFIED ELECTRICIAN WITH A WORK PERMIT FOR THE ELECTRIC UNITS UP TO 1000 V AFTER CAREFUL READING OF THE PRESENT USER'S MANUAL.

THE RATED ELECTRICAL PARAMETERS OF THE UNIT ARE GIVEN ON THE MANUFACTURER'S LABEL.



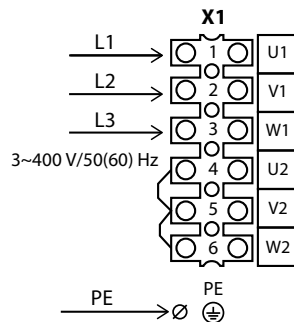
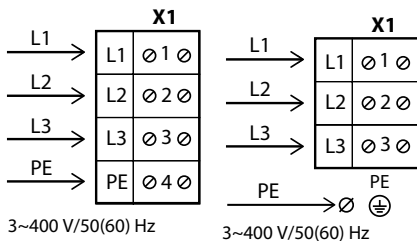
ANY TAMPERING WITH THE INTERNAL CONNECTIONS IS PROHIBITED AND WILL VOID THE WARRANTY.

- The unit is rated for connection to 3~400 V/50(60) Hz according to the wiring diagram. The connection must be made using insulated conductors (cables, wires). The actual wire cross section selection must be based on the maximum load current, maximum conductor temperature depending on the wire type, insulation, length and installation method.
- The unit must be connected to power supply in accordance with the applicable standards.

The axial impulse fan is designed for integration into an automatic control system and is not intended for standalone operation. Connect the fan motor via the terminal block (X1) by means of a durable heat-resistant insulated cable according to the wiring diagram and the terminal designations.

The terminal block and the terminal designation label are inside the terminal box. The terminal box is installed on the fan casing or on a mounting bracket depending on the particular model.

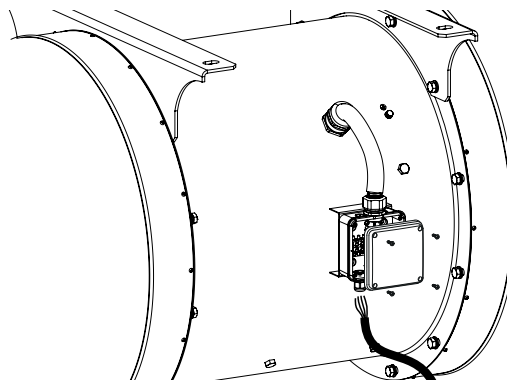
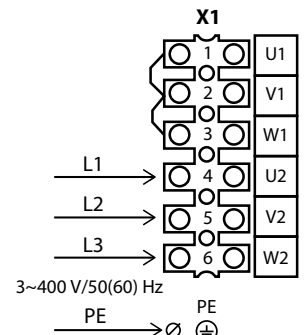
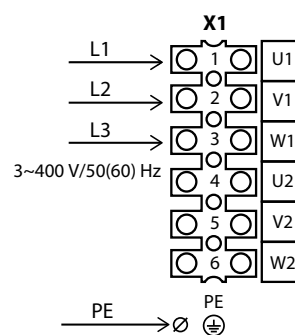
Single-speed fan wiring diagram



Two-speed fan wiring diagram:

- running at low speed

- running at high speed



MAKE SURE THAT THE FAN IMPELLER ROTATES IN THE DIRECTION MARKED BY THE ARROW ON THE FAN CASING.

IF NECESSARY, CHANGE THE IMPELLER ROTATION DIRECTION BY ALTERING THE PHASE SEQUENCE ON THE ELECTRIC MOTOR TERMINALS.

ASYNCHRONOUS ELECTRIC MOTOR STARTING METHODS

There are several methods for starting asynchronous squirrel-cage electric motors.

The most common methods are: direct-on-line (DOL), with a soft starter (SS) or with a frequency converter (FC).

Direct-on-line starting

In case of direct-on-line starting (i.e. by connecting the motor to the electric mains with a simple line contactor), the motor starting time significantly increases due to high inertia of the impeller, which, in turn, results in high in-rush starting currents in the circuit. These currents of long duration may cause voltage slumps (especially if the feed line section falls short of the requirements), which may affect load operation.

The in-rush current consumed by an electric motor in case of DOL starting is 5-8 times larger than the rated value (or even 10-14 times larger in some rare instances). It should be noted that the torque developed by the motor also significantly exceeds the rated value.

Upon energisation the motor operates as a transformer with a squirrel-cage secondary winding formed by the rotor cage with a very low resistance.

The rotor develops high induced current causing a rush of current in the feed line.

The startup torque during starting averages 0.5-1.5 of the rated torque value.

Despite such advantages as simple construction, high startup current, quick start and low cost, direct-on-line systems are suitable only in the following cases:

- the motor power is low compared to the mains power which limits the adverse effect of the rush of current
- the driven mechanism does not require gradual speed build-up or is equipped with a damping device to smooth out the inrush
- the high startup torque has no adverse effects on the operation of the driven mechanism

Soft start. SS starting.

A soft starter gradually increases the voltage supplied to the motor – from the initial to the rated value.

This starting system can be used to meet the following goals:

- limit the motor current
- regulate the torque

Regulation by limiting the current sets the maximum in-rush current equal to 300-400 % (or 250 % in some rare instances) of the rated current and reduces torque characteristics. This type of regulation is especially suited for turbomachinery such as centrifugal pumps and fans.

Regulation by variation of torque optimizes the torque during startup and reduces in-rush current in the circuit. These conditions are suitable for mechanisms with constant load resistance.

This type of soft starting may differ in the implementation pattern:

- motor start
- motor start and stop
- device bridging at the end of start sequence
- start and stop of several motors in stage circuits

Soft start. FC starting.

During the starting the FC raises the frequency from 0 Hz to the electrical mains frequency (50 or 60 Hz). As the frequency is increased gradually, the motor can be assumed to operate at its rated speed for a given frequency value. Furthermore, on the assumption that the motor runs at its rated speed the nominal torque should be immediately available whereas the current will be approximately equal to the rated value.

This starting system is used for speed control and regulation and can be used in the following cases:

- start with high-inertia load
- start with high load and limited-capacity power supply source
- optimization of electric power consumption depending on turbomachinery speed

The aforementioned starting system can be used for all types of mechanisms.

Problems associated with DOL starting

The problems caused by DOL starting may be divided into two groups:

1. An abrupt start causes mechanical shock, jolts in the mechanism, shock removal of free play etc.
2. A heavy start cannot be completed.

Let us review three variations of a heavy start:

1. The feed line performance is barely sufficient or insufficient to maintain the induced current.

Typical symptoms: Upon starting the circuit breakers at the system input are tripped; the lights, certain relays and contactors go off, and the supply generator shuts down.

Solution: In the best-case scenario an SS device may help reduce the in-rush current to 250 % of the motor rated current. If this is insufficient, an FC is necessary.

2. The motor cannot start the mechanism with DOL starting.

Typical symptoms: The motor fails to turn or “freezes” at certain speed which is maintained until actuation of the protection suite.

Solution: This problem may not be solved with an SS device. The motor develops insufficient shaft torque. However, this problem can be addressed by using an FC, but each case may be different.

3. The motor spins up the mechanism with authority, but fails to reach the rated rotation speed.

Typical symptoms: The input automatic circuit breaker is tripped during spin-up. This often happens with heavy-weight fans with a considerable rotation speed.

Solution: Such problems may be addressed with an SS device, but not with 100 % certainty. The closer the motor speed to the rated value during the actuation of the protective equipment, the higher the chances of success. The use of an FC in this case helps solve the problem fundamentally.

Standard switching equipment (automatic circuit breakers, contactors and motor starters) is not designed to withstand prolonged overloads normally causing the fan to shut down automatically if the DOL starting continues too long.

Using switching equipment with a higher maximum current rating renders the electric motor protection system less sensitive.

As a result the switching equipment will not be able to detect motor overload in time due to a high current sensing threshold.

Such problems as mentioned above can only be addressed by utilizing a soft starter or a frequency converter to start the fan.

COMMISSIONING



THE ORGANISATION RESPONSIBLE FOR THE COMMISSIONING SHALL BE RESPONSIBLE FOR PROPER MOTOR PHASING AND STARTING PATTERN SELECTION.



**DURING STARTING THE IN-RUSH CURRENTS OF THE FAN MAY SEVERAL TIMES EXCEED THE RATED VALUES.
SEE “ASYNCHRONOUS ELECTRIC MOTOR STARTING METHODS” IN THE “CONNECTION TO POWER MAINS” SECTION**

- After fan starting make sure that the electric motor rotates properly without undue vibration and abnormal noise.
- Make sure that the fan impeller rotates in the direction marked by the arrow on the fan casing. If necessary, change the rotation direction of the impeller by reversing the phase sequence (for a three-phase motor) or by rewiring according to the wiring diagram located inside the terminal box (for a single-phase motor).
- Make sure that the fan energy consumption complies with the value given on the equipment nameplate and check the motor for overheating.
- The phase current should be checked once the fan reaches the rated operating conditions.
- Do not switch the fan on and off several times without pauses as this may result in damage to the winding or insulation due to overheating.

TECHNICAL MAINTENANCE



DISCONNECT THE UNIT FROM POWER SUPPLY BEFORE ANY MAINTENANCE OPERATIONS!
MAKE SURE THE UNIT IS DISCONNECTED FROM POWER MAINS BEFORE REMOVING THE PROTECTION.

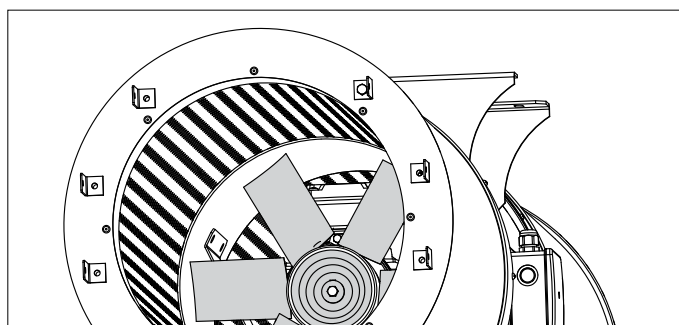
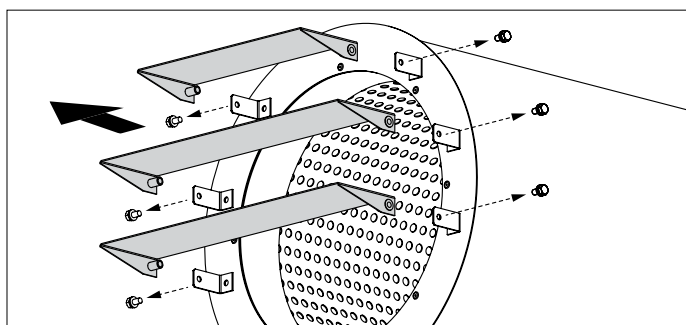


PRIOR TO COMMENCING ANY TECHNICAL MAINTENANCE PUT UP A PROHIBITORY SIGN ON THE FAN STARTING PANEL:
“DO NOT SWITCH ON! MEN AT WORK!”



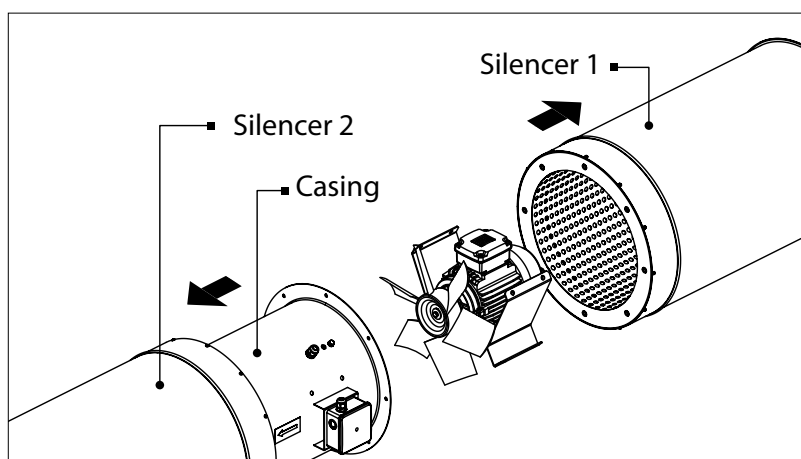
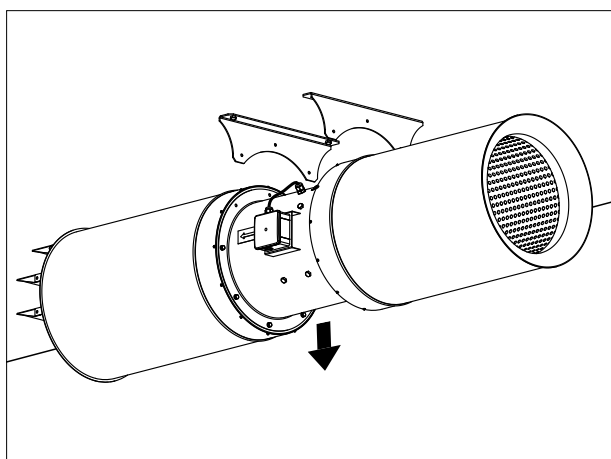
AVOID LIQUID SPILLS ON THE MOTOR! DO NOT USE AGGRESSIVE SOLVENTS AND SHARP OBJECTS FOR CLEANING!

The technical maintenance of the fan includes periodic cleaning of the surfaces from dust and dirt and replacement of fan or motor parts. The fan surfaces should be cleaned periodically as they get dirty. To clean the motor impeller as well as the internal metal parts of the fan, use a soft dry brush with a long handle and some cloth. For easy access to the motor impeller, disconnect the louvre shutters.



While carrying out motor repair or replacement make sure to provide sufficient access to the motor location:

- undo three bolts on each of the two mounting brackets and remove the casing with the silencers
- disconnect the casing from the silencer 1 by unscrewing the clamping bolts
- remove the terminal box cover and disconnect the electric motor cable from the terminal block
- undo the screws on the casing which secure the motor mounts
- carefully remove the motor on the mounts from the casing
- on completing the technical maintenance re-install the fan into the casing in the reverse order



While performing technical maintenance:

- Check the grounding screw terminals and electric connectors for proper tightness and tighten them up if necessary.
- Check the casing fastening screws for tightness and tighten them up if necessary.
- Check the bolt connecting the motor shaft to the hub for proper tightness and tighten it up if necessary.
- Check the fan impeller for clogging and clean when necessary. To clean the impeller, remove the side cover.

Technical maintenance must be carried out at least once a year.

TROUBLESHOOTING

POSSIBLE REASONS AND TROUBLESHOOTING

Problem	Possible reasons	Troubleshooting
The fan does not start.	No power supply.	Check the automatic circuit breaker. Check the electric connections.
	Jammed motor.	Carefully check the fan impeller for possible seizure and eliminate it, if necessary. If the impeller is in order, replace the electric motor.
The automatic breaker activates upon fan start-up.	Short circuit in the fan or the electric circuit between the fan and the automatic circuit breaker.	Eliminate the cause of a short circuit.
	Excessive current consumption due to an overload in the electric mains triggers the thermal release of the automatic circuit breaker.	Eliminate the cause of excessive current consumption.
	Improper fan starting method.	Use a soft starter or frequency converter to start the motor (see "Asynchronous electric motor starting methods" in the "Connection to power mains" section).
	Improper switching equipment.	Re-select the switching equipment in accordance with the current regulations and equipment specifications.
	The installed switching equipment is of poor quality or its actual performance falls short of the rated values stated by the manufacturer.	Re-select the switching equipment by choosing a unit which successfully passed commutation and load tests and has a technical compliance certificate. The selection should be limited to the top five foreign switching equipment manufacturers.
The fan fails to reach the required rotation speed due to serious overheating of the fan motor.	Fan motor overloaded.	Eliminate the overload.
	Improper fan starting method.	Use a soft starter or frequency converter to start the motor (see "Asynchronous electric motor starting methods" in the "Connection to power mains" section).
The fan motor runs at overload capacity with current consumption in excess of the rated value.	Wrong motor phasing. The impeller rotates in the opposite direction of the arrow on the fan casing.	If necessary, change the impeller rotation direction by changing the phase sequence on the electric motor terminals.
The fan supplies more air than expected.	Wrong choice of the fan.	Replace the fan with a unit of proper standard size.

The fan supplies less air than expected.	Wrong choice of the fan.	Re-calculate the parameters and select the right fan.
	Wrong direction of the impeller rotation direction.	If necessary, change the impeller rotation direction by changing the phase sequence on the electric motor terminals (see the "Commissioning" section).
	Impeller contamination with foreign objects or debris.	Clean the impeller from foreign objects or debris.
Increased noise, vibration in the fan.	Loose screw connections.	Check the screw connections for proper tightness.
	No vibration mounts on the fan.	Install the anti-vibration mounts.
	Impeller contamination with foreign objects or debris.	Clean the impeller from foreign objects or debris.
	Worn bearings.	Replace the bearings.
	Unstable power supply, unstable motor operation.	Check the stability of power supply parameters and electric motor operation.

STORAGE AND TRANSPORTATION REGULATIONS

- Store the unit in the manufacturer's original packaging box in a dry closed ventilated premise with temperature range +5 °C..+40 °C and relative humidity up to 70 %.
- Storage environment must not contain aggressive vapors and chemical mixtures provoking corrosion, insulation, and sealing deformation.
- Use suitable hoist machinery for handling and storage operations to prevent possible damage to the unit.
- Follow the handling requirements applicable for the particular type of cargo.
- The unit can be carried in the original packaging by any mode of transport provided proper protection against precipitation and mechanical damage. The unit must be transported only in the working position.
- Avoid sharp blows, scratches, or rough handling during loading and unloading.
- Prior to the initial power-up after transportation at low temperatures, allow the unit to warm up at operating temperature for at least 3-4 hours.



RISK OF UNIT DAMAGE.
IF THE STORAGE DURATION IS LONGER THAN 3 MONTHS, IT IS NECESSARY TO REGULARLY TURN THE IMPELLER BY HAND.

MANUFACTURER'S WARRANTY

The product is in compliance with EU norms and standards on low voltage guidelines and electromagnetic compatibility. We hereby declare that the product complies with the provisions of Electromagnetic Compatibility (EMC) Directive 2014/30/EU of the European Parliament and of the Council, Low Voltage Directive (LVD) 2014/35/EU of the European Parliament and of the Council and CE-marking Council Directive 93/68/EEC. This certificate is issued following test carried out on samples of the product referred to above.

The manufacturer hereby warrants normal operation of the unit for 24 months after the retail sale date provided the user's observance of the transportation, storage, installation, and operation regulations. Should any malfunctions occur in the course of the unit operation through the Manufacturer's fault during the guaranteed period of operation, the user is entitled to get all the faults eliminated by the manufacturer by means of warranty repair at the factory free of charge. The warranty repair includes work specific to elimination of faults in the unit operation to ensure its intended use by the user within the guaranteed period of operation. The faults are eliminated by means of replacement or repair of the unit components or a specific part of such unit component.

The warranty repair does not include:

- routine technical maintenance
- unit installation/dismantling
- unit setup

To benefit from warranty repair, the user must provide the unit, the user's manual with the purchase date stamp, and the payment paperwork certifying the purchase. The unit model must comply with the one stated in the user's manual. Contact the Seller for warranty service.

The manufacturer's warranty does not apply to the following cases:

- User's failure to submit the unit with the entire delivery package as stated in the user's manual including submission with missing component parts previously dismantled by the user.
- Mismatch of the unit model and the brand name with the information stated on the unit packaging and in the user's manual.
- User's failure to ensure timely technical maintenance of the unit.
- External damage to the unit casing (excluding external modifications as required for installation) and internal components caused by the user.
- Redesign or engineering changes to the unit.
- Replacement and use of any assemblies, parts and components not approved by the manufacturer.
- Unit misuse.
- Violation of the unit installation regulations by the user.
- Violation of the unit control regulations by the user.
- Unit connection to power mains with a voltage different from the one stated in the user's manual.
- Unit breakdown due to voltage surges in power mains.
- Discretionary repair of the unit by the user.
- Unit repair by any persons without the manufacturer's authorization.
- Expiration of the unit warranty period.
- Violation of the unit transportation regulations by the user.
- Violation of the unit storage regulations by the user.
- Wrongful actions against the unit committed by third parties.
- Unit breakdown due to circumstances of insuperable force (fire, flood, earthquake, war, hostilities of any kind, blockades).
- Missing seals if provided by the user's manual.
- Failure to submit the user's manual with the unit purchase date stamp.
- Missing payment paperwork certifying the unit purchase.

The manufacturer shall not accept any claims with regards to the condition of the paint-and-lacquer coating (hereinafter PLC) in the following cases:

- Dents, cracks, scratches and abrasions of the PLC sustained during handling, mounting and assembly operations.
- Progress of corrosion on areas damaged with stones, sand, and roof coat tar during the performance of roofing work.
- Signs of direct exposure of the PLC to excessive temperatures, which occurred during the performance of roofing work.
- Violation of regulations on transportation, storage, installation, and operation of the unit.
- Presence of damage caused by exposure to industrial and chemical emissions, acidic or alkaline pollution, sap or other factors not related to normal operating conditions.



FOLLOWING THE REGULATIONS STIPULATED HEREIN WILL ENSURE A LONG AND TROUBLE-FREE OPERATION OF THE UNIT.



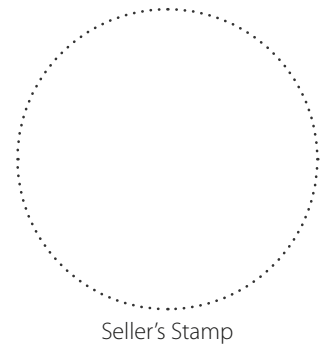
USER'S WARRANTY CLAIMS SHALL BE SUBJECT TO REVIEW ONLY UPON PRESENTATION OF THE UNIT, THE PAYMENT DOCUMENT AND THE USER'S MANUAL WITH THE PURCHASE DATE STAMP.

CERTIFICATE OF ACCEPTANCE

Unit Type	Impulse axial fan
Model	
Serial Number	
Manufacture Date	
Quality Inspector's Stamp	

SELLER INFORMATION

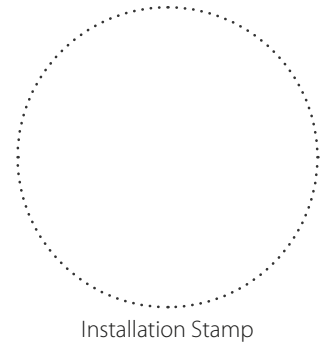
Seller	
Address	
Phone Number	
E-mail	
Purchase Date	
This is to certify acceptance of the complete unit delivery with the user's manual. The warranty terms are acknowledged and accepted.	
Customer's Signature	



INSTALLATION CERTIFICATE

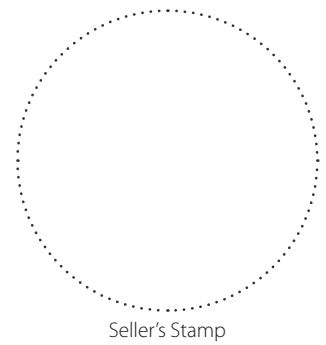
The _____ unit is installed pursuant to the requirements stated in the present user's manual.

Company name	
Address	
Phone Number	
Installation Technician's Full Name	
Installation Date:	Signature:
The unit has been installed in accordance with the provisions of all the applicable local and national construction, electrical and technical codes and standards. The unit operates normally as intended by the manufacturer.	
Signature:	



WARRANTY CARD

Unit Type	Impulse axial fan
Model	
Serial Number	
Manufacture Date	
Purchase Date	
Warranty Period	
Seller	





BLAUBERG
Ventilatoren

